

# DAVTRON, INC.



## *A Leader in Digital Avionics*



300 Series  
Temperature



400 Series  
Voltmeter



600 Series  
Multi-Function



800 Series  
Clocks



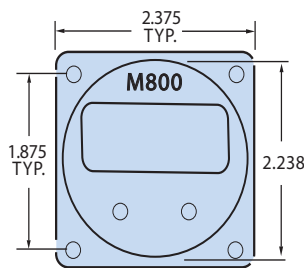
900 Series  
Navigation

[www.davtron.com](http://www.davtron.com)

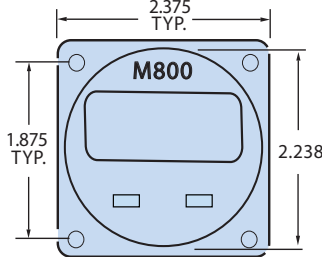
866-369-5588 toll-free  
650-369-9988 fax

427 Hillcrest Way  
Emerald Hills, CA 94062

Model 800



Mechanical with illuminated buttons



M800 with Illuminated Buttons



Features

- 2 1/4" INTERNAL MOUNT
- TWO BUTTON CONTROL SYSTEM
- LASER ENGRAVED FACEPLATE
- UNIVERSAL TIME
- LOCAL TIME
- ELAPSED TIME WITH COUNTDOWN TIMER
- ELAPSED TIME ALARM
- OPTION AUDIO ALARM
- LIQUID CRYSTAL DISPLAY
- NIGHT ILLUMINATION
- NVIS GREEN A OPTION
- KEEP ALIVE BATTERY OPTION
- FAA-PMA APPROVED

Specifications

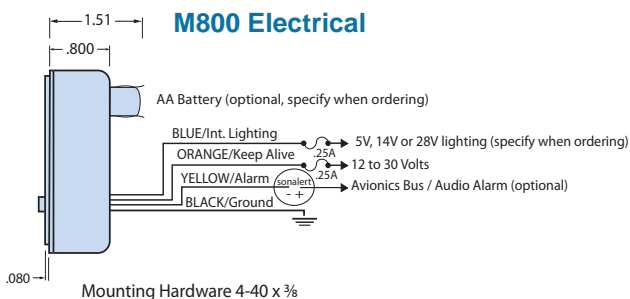
- Universal Time: 24 hour format
- Local Time: 12 hour or 24 hour option, user selectable
- Elapsed Time Count Up: Starts in minutes and seconds, then hours and minutes, up to 99:59 hours
- Elapsed Time Countdown: Settable from one second to 59 minutes and 59 seconds
- Elapsed Time Alarm: Activates at zero when counting down
- Internal Lighting: 230 mA at 5V, 120 mA at 14V, 50 mA at 28V (specify voltage when ordering)
- LCD Display
- Keep Alive Current: .004 Amps. 12 to 30 Volts
- Voltage: 12 to 30 Volts
- Option Battery: AA memory battery (specify when ordering)
- NVIS Option: NVIS Green A lighting
- Weight: 4 ounces
- Warranty: 1 year

Part Number

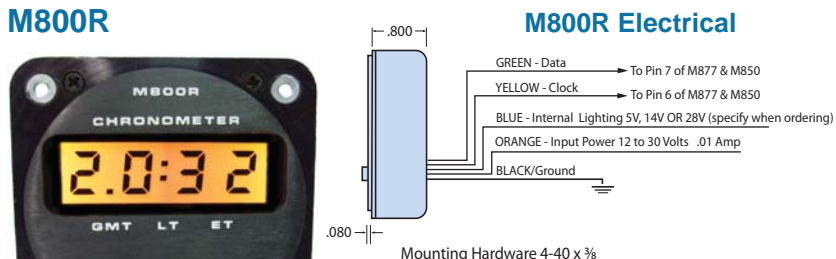
Description

800-5V	GMT, LT, & ET DIGITAL CLOCK 5 VOLT LIGHTING
800-5V-BAT	800-5V WITH BATTERY HOLDER (AA)
800-5V-NVG	800-5V WITH NIGHT VISION LIGHTING GREEN A
800-5V-NVG-BAT	800-5V-NVG WITH MEMORY BATTERY HOLDER (AA)
800-14V	GMT, LT, & ET DIGITAL CLOCK 14 VOLT LIGHTING
800-14V-BAT	800-14V WITH MEMORY BATTERY HOLDER (AA)
800-14V-NVG	800-14V WITH NIGHT VISION LIGHTING GREEN A
800-14V-NVG-BAT	800-14V-NVG WITH MEMORY BATTERY HOLDER (AA)
800-28V	GMT, LT, & ET DIGITAL CLOCK 28 VOLT LIGHTING
800-28V-BAT	800-28V WITH MEMORY BATTERY HOLDER (AA)
800-28V-NVG	800-28V WITH NIGHT VISION LIGHTING GREEN A
800-28V-NVG-BAT	800-28V-NVG WITH MEMORY BATTERY HOLDER (AA)
800-5V-SH-BAT	800-5V, ILLUMINATED BUTTONS, BATTERY HOLDER
800-14V-SH-BAT	800-14V, ILLUMINATED BUTTONS, BATTERY HOLDER
800-28V-SH-BAT	800-28V, ILLUMINATED BUTTONS, BATTERY HOLDER
800-5V-SH-NVG-BAT	800-5V-NVG, ILLUMINATED BUTTONS, BATTERY HOLDER
800-14V-SH-NVG-BAT	800-14V-NVG, ILLUMINATED BUTTONS, BATTERY HOLDER
800-28V-SH-NVG-BAT	800-28V-NVG, ILLUMINATED BUTTONS, BATTERY HOLDER
800R-5V	*REMOTE UNIT 5V LIGHTING FOR MODEL 850 & 877
800R-14V	*REMOTE UNIT 14V LIGHTING FOR MODEL 850 & 877
800R-28V	*REMOTE UNIT 28V LIGHTING FOR MODEL 850 & 877
SONALERT	AUDIO ALARM FOR MODELS 800, 803, 850 & 877

M800 Electrical



M800R Electrical

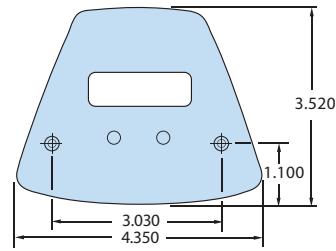


\*Must order Model 850 & 877 with M800R for remote option

INSTALLATION ELIGIBILITY FOR MODEL 800

- Diamond Aircraft Model DA20-A1
  - Beech Models 35, A35, B35, C35, D35, E35, F35, G35, H35, J35, K35, M35, N35, 35-33, and 35-A33
- DAVTRON FAA PMA # PQ1062NM.

**Model 800 for Beechcraft**



**Features**

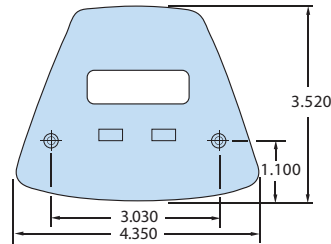
- YOKE MOUNT FOR BEECHCRAFT
- TWO BUTTON CONTROL SYSTEM
- UNIVERSAL TIME
- LOCAL TIME
- ELAPSED TIME WITH COUNTDOWN TIMER
- ELAPSED TIME ALARM
- OPTION AUDIO ALARM
- LIQUID CRYSTAL DISPLAY
- NIGHT ILLUMINATION
- NVIS GREEN A OPTION
- FAA-PMA APPROVED

**MB800 with Illuminated Buttons**

NVIS Green A



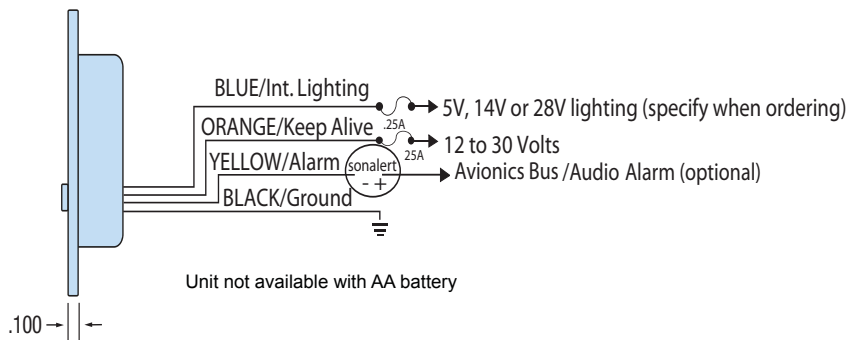
**Mechanical with illuminated buttons**



**Specifications**

- Universal Time: 24 hour format
- Local Time: 12 or 24 hour option, user selectable
- Elapsed Time Count Up: Starts in minutes and seconds, then hours and minutes, up to 99:59 hours
- Elapsed Time Countdown: Settable from one second to 59 minutes and 59 seconds
- Elapsed Time Alarm: Activates at zero when counting down
- Internal Lighting: 230 mA at 5V, 120 mA at 14V, 50 mA at 28V (specify voltage when ordering)
- LCD Display
- Keep Alive Current: 0.004 Amps. 12 to 30 Volts
- Voltage: 12 to 30 Volts
- NVIS Option: NVIS Green A lighting
- Warranty: 1 year

**Electrical**



**INSTALLATION ELIGIBILITY FOR MODEL 800**

- Diamond Aircraft Model DA20-A1
  - Beech Models 35, A35, B35, C35, D35, E35, F35, G35, H35, J35, K35, M35, N35, 35-33 and 35-A33
- DAVTRON FAA PMA # PQ1062NM.

Part Number	Description
800B-28V-CRM	800-28V FOR BEECHCRAFT YOKE (CREAM)
800B-28V-BLK	800-28V FOR BEECHCRAFT YOKE (BLACK)
800B-14V-CRM	800-14V FOR BEECHCRAFT YOKE (CREAM)
800B-14V-BLK	800-14V FOR BEECHCRAFT YOKE (BLACK)
800B-5V-BLK	800-5V FOR BEECHCRAFT YOKE (BLACK)
800B-5V-CRM	800-5V FOR BEECHCRAFT YOKE (CREAM)
800B-5V-NVG-BLK	800B-5V-BLK WITH NIGHT VISION GREEN A (BLACK)
800B-14V-NVG-BLK	800B-14V-BLK WITH NIGHT VISION GREEN A (BLACK)
800B-28V-NVG-BLK	800B-28V-BLK WITH NIGHT VISION GREEN A (BLACK)
800B-5V-NVG-CRM	800B-5V-CRM WITH NIGHT VISION GREEN A (CREAM)
800B-14V-NVG-CRM	800B-14V-CRM WITH NIGHT VISION GREEN A (CREAM)
800B-28V-NVG-CRM	800B-28V-CRM WITH NIGHT VISION GREEN A (CREAM)
800B-5V-SH-BLK	800B-5V-BLK, ILLUMINATED BUTTONS (BLACK)
800B-14V-SH-BLK	800B-14V-BLK, ILLUMINATED BUTTONS (BLACK)
800B-28V-SH-BLK	800B-28V-BLK, ILLUMINATED BUTTONS (BLACK)
800B-5V-SH-NVG-BLK	800B-5V-BLK, ILLUMINATED BUTTONS WITH NIGHT VISION GREEN A (BLACK)
800B-14V-SH-NVG-BLK	800B-14V-BLK, ILLUMINATED BUTTONS WITH NIGHT VISION GREEN A (BLACK)
800B-28V-SH-NVG-BLK	800B-28V-BLK, ILLUMINATED BUTTONS WITH NIGHT VISION GREEN A (BLACK)

Model 803



Features

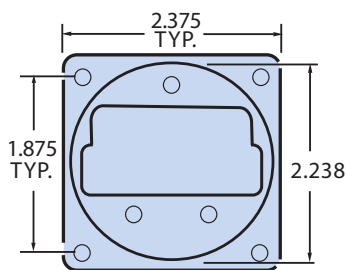
- 2 1/4" INTERNAL MOUNT
- LASER ENGRAVED FACEPLATE
- UNIVERSAL TIME
- LOCAL TIME
- FLIGHT TIME WITH ALARM
- ELAPSED TIME WITH COUNTDOWN TIMER
- ELAPSED TIME ALARM
- OPTION AUDIO ALARM
- LIQUID CRYSTAL DISPLAY
- VOLTAGE
- O.A.T. FAHRENHEIT & CENTIGRADE
- NIGHT ILLUMINATION
- NVIS GREEN A OPTION
- KEEP ALIVE BATTERY OPTION
- FAA-PMA APPROVED

Specifications

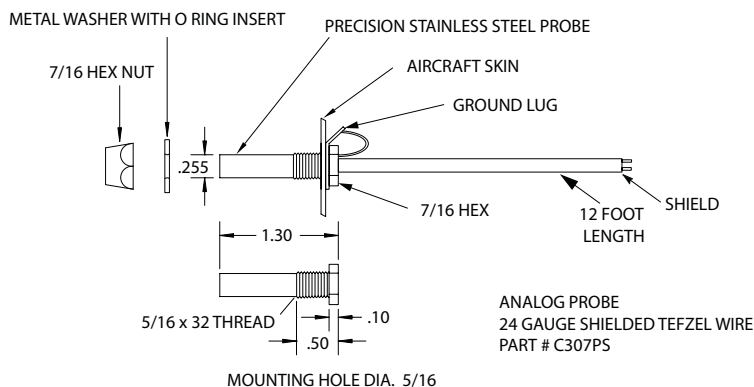
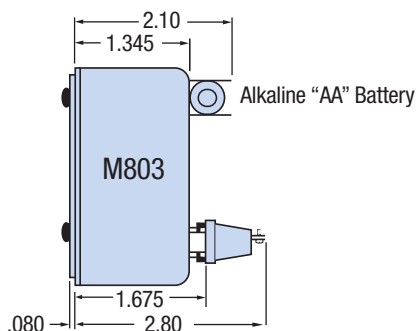
- Universal Time: 24 hour format
- Local Time: 12 hour or 24 hour option
- Flight Time: Records in hours and minutes, up to 99:59
- Flight Time Alarm: Full set range of flight time
- Elapsed Time Count Up: Starts in minutes and seconds, then hours and minutes, up to 99:59 hours
- Elapsed Time Countdown: Settable from one second to 59 minutes and 59 seconds
- Elapsed Time Alarm: Activates at zero when counting down
- Voltage Range: 8 Volts to 32 Volts ±0.2 Volts Typ. -55°C to +100°C ±0.2°C Typ.
- Internal Lighting: 240 mA at 5V, 240 mA at 14V, 100 mA at 28V (specify voltage when ordering)
- Keep Alive Current: 0.004 Amps. 12 to 30 Volts

- LCD Display
- Input Voltage: 12 to 30 Volts
- Input Current: .2 Amps
- Battery Type: AA memory battery
- NVIS Option: NVIS Green A lighting
- Voltage: 12 to 30 Volts
- Weight: 5.02 ounces
- Warranty: 1 year

Mechanical



Mounting Hardware 4-40 x 3/8

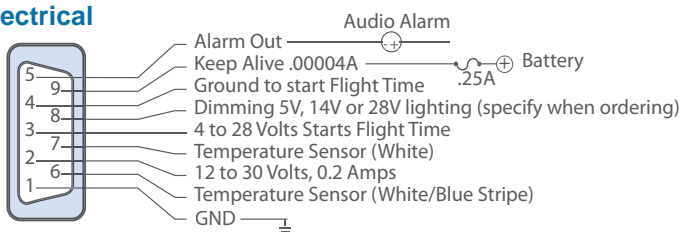


Part Number	Description
803-5V	UT, LT, FT, & ET DIGITAL CLOCK 5V LIGHTING, VOLTMETER, OAT (F & C) (TEMP. PROBE INCLUDED)
803-14V	UT, LT, FT, & ET DIGITAL CLOCK 14V LIGHTING, VOLTMETER, OAT (F & C) (TEMP. PROBE INCLUDED)
803-28V	UT, LT, FT, & ET DIGITAL CLOCK 28V LIGHTING, VOLTMETER, OAT (F & C) (TEMP. PROBE INCLUDED)
803-5V-NVG	803-5V WITH NIGHT VISION LIGHTING GREEN A (TEMP. PROBE INCLUDED)
803-14V-NVG	803-14V WITH NIGHT VISION LIGHTING GREEN A (TEMP. PROBE INCLUDED)
803-28V-NVG	803-28V WITH NIGHT VISION LIGHTING GREEN A (TEMP. PROBE INCLUDED)
C307PS	PROBE -12FT-WHT-C307PS TEMPERATURE PROBE 12FT COAX (ANALOG) 301,303,307,655 & 803
SONALERT	AUDIO ALARM FOR MODELS 800, 803, 850 & 877
MD9F20JVL0	9 PIN FEMALE CONNECTOR ASSEMBLY

INSTALLATION ELIGIBILITY FOR MODEL 803

- Bell Helicopter Textron Model 407
- DAVTRON FAA PMA # PQ1062NM.

Electrical



NOTE: Keep alive (Pin 9) is only required if alkaline AA size battery is removed. Flight Time starts with either Pin 3 or Pin 4 - use only one pin.

### Model 811B

NVIS Green A



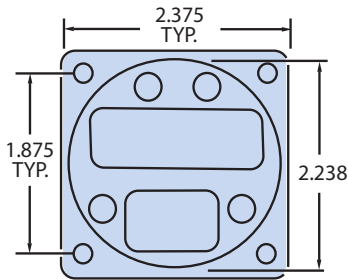
### Features

- 2 1/4" INTERNAL MOUNT
- SIX-DIGIT DISPLAY ON ALL 3 FUNCTIONS
- LOCAL TIME
- FLIGHT TIME
- ELAPSED TIME COUNTER
- SUNLIGHT READABLE DISPLAY
- NVIS GREEN A OPTION
- MEMORY BATTERY INCLUDED
- FAA-PMA APPROVED

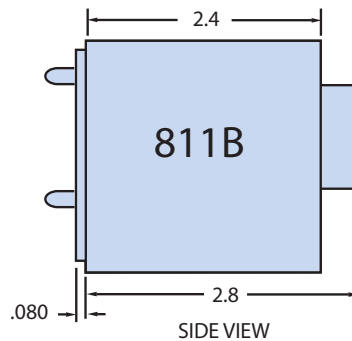
### Specifications

- Six-digit display on all three functions
- Local Time: 12 hour or 24 hour option (user selectable)
- Flight Time: 24 hour
- Elapsed Time Count Up: 24 hour
- Battery supplied with a typical two year operating life. 6 Volts - 1 Amp hour
- Polaroid filter
- Incandescent Displays: Readable in sunlight
- Input Voltage: 14 Volts
- Input Current: 0.4 Amps
- Maximum depth from mounting surface: 2.8"
- Black Faceplate: Engraved Nomenclature
- Grey Faceplate: Silkscreened Nomenclature
- Weight: 7.5 ounces
- Warranty: 1 year

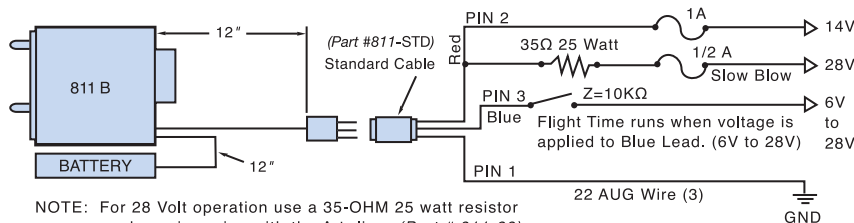
### Mechanical



Mounting Hardware  
4-40 3/8 Maximum Length

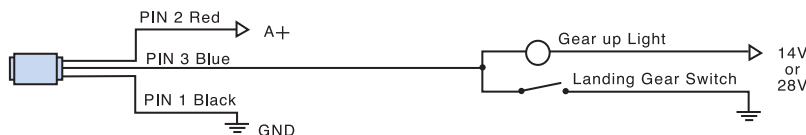


### Electrical



NOTE: For 28 Volt operation use a 35-OHM 25 watt resistor as shown in series with the A+ line. (Part # 811-28)

### Inverting Cable



When using the inverting cable (Part # 811-INV) the Flight Time runs when the Blue Lead is grounded.

Part Number	Description
811B-24	LT 24 HR, FT, & ET LED CLOCK
811B-24A	811B-24 WITH GRAY FACEPLATE
811B-24-NVG	811B-24 WITH NIGHT VISION COMPATIBILITY (GREEN A)
811B-24-NVG-15	811B-24 WITH NIGHT VISION COMPATIBILITY WITH KW515-4F DISPLAYS (GREEN A)
KW505F	REPLACEMENT DISPLAY
811-BATT-1	811B MEMORY BATTERY PACK
811-STD	STANDARD FEMALE CABLE CONNECTOR
811-INV	INVERTING FEMALE CONNECTOR
811-28	811B DROPPING RESISTOR

### INSTALLATION ELIGIBILITY FOR MODEL 811B

- BAE Jetstream Models 3101, and 3201
- Beech Models 35, A35, B35, C35, D35, E35, F35, G35, H35, J35, K35, M35, N35, 35-33, and 35-A33
- British Aerospace Model BAE/Avro 146
- British Aerospace Model 125-700
- DeHavilland Models Dash-8 Series 100 (101,102,103)
- DeHavilland Models Dash-8 Series 300 (301,311)
- Falcon Models 10, 900EX, and 2000
- Gates Learjet Models 24E, 24F, 25D, 25F, 35A, and 36A
- IAI Models 1125WW Astra and Astra SPX
- Mystere Falcon Models 50, 200, and 900
- Waco Model Classic WACO F5 and F5c

The 811-BATT-1 replacement batteries do not have PMA by themselves, they are part of the higher PMA assembly 811B clock.

DAVTRON FAA PMA # PQ1062NM.

### Model 850

NVIS Green A



### Features

- 2 1/4" FRONT MOUNT
- TWO BUTTON CONTROL SYSTEM
- GREENWICH MEAN TIME
- LOCAL TIME
- FLIGHT TIME WITH ALARM
- ELAPSED TIME WITH COUNTDOWN TIMER
- ELAPSED TIME ALARM
- OPTION AUDIO ALARM
- BRIGHT SUNLIGHT READABLE DISPLAY
- AUTOMATIC DIMMING
- ILLUMINATED BUTTONS AND ANNUNCIATORS
- NVIS GREEN A OPTION
- KEEP ALIVE BATTERY OPTION
- FAA-PMA APPROVED

### Specifications

- Greenwich Mean Time: 24 hour format
- Local Time: 12 hour or 24 hour option
- Flight Time: Records in hours and minutes, up to 99:59, 99.99 hour option
- Flight Time Alarm: Full set range flight time
- Elapsed Time Count Up: Starts in minutes and seconds, then hours and minutes, up to 99:59 hours
- Elapsed Time Countdown: Settable from one second to 59 minutes and 59 seconds
- Elapsed Time Alarm: Activates at zero when counting down
- Incandescent Display: Readable in sunlight
- Automatic Dimming
- Battery Type: N size alkaline Model 850
- Battery Type: AA size alkaline Model 877
- Keep Alive Current: .00004 amps
- Input Current: 0.2 Amps
- Input Voltage: 14 to 28 Volts (backlight available 5V, 14V, or 28V lighting - must specify when ordering)
- NVIS Option: NVIS Green A lighting for Model 850
- Black Face Plate: Engraved Nomenclature
- Grey Face Plate: Silkscreened Nomenclature
- Weight: 5 ounces
- Warranty: 1 year

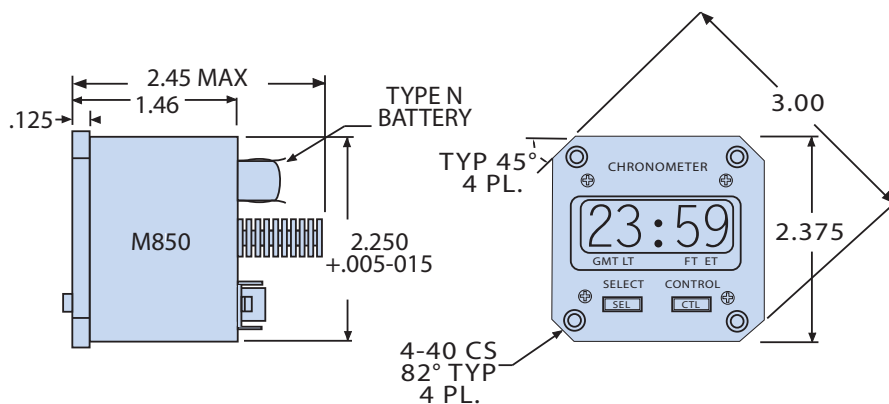
### Model 850

NVIS Green A

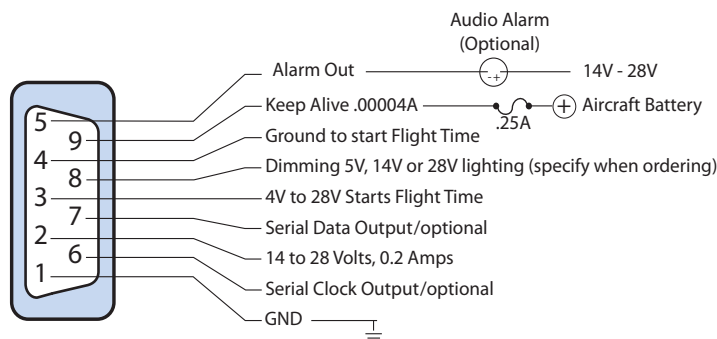
optional internal mount 2 1/4"



### Mechanical



### Electrical



Part Number	Description
850-5V	GMT, LT, FT, & ET LED CLOCK 5V ILLUMINATING BUTTONS (FRONT MOUNT)
850A-5V	850-5V WITH GRAY FACEPLATE
850-5V-NVG	850-5V WITH NIGHT VISION COMPATIBILITY (GREEN A)
850A-5V-NVG	850A-5V-NVG WITH GRAY FACEPLATE
850-2-5V-NVG	850-5V INTERNAL MOUNT WITH NIGHT VISION COMPATIBILITY (GREEN A)
850-14V	GMT, LT, FT, & ET LED CLOCK 14V ILLUMINATING BUTTONS (FRONT MOUNT)
850A-14V	850-14V WITH GRAY FACEPLATE
850-14V-NVG	850-14V WITH NIGHT VISION COMPATIBILITY (GREEN A)
850-2-14V-NVG	850-14V INTERNAL MOUNT WITH NIGHT VISION COMPATIBILITY (GREEN A)
850A-14V-NVG	850A-14V-NVG WITH GRAY FACEPLATE
850-28V	GMT, LT, FT, & ET LED CLOCK 28V ILLUMINATING BUTTONS (FRONT MOUNT)
850A-28V	850-28V WITH GRAY FACEPLATE
850-28V-NVG	850-28V WITH NIGHT VISION COMPATIBILITY (GREEN A)
850-2-28V-NVG	850-28V INTERNAL MOUNT WITH NIGHT VISION COMPATIBILITY (GREEN A)
850A-28V-NVG	850A-28V-NVG WITH GRAY FACEPLATE

### INSTALLATION ELIGIBILITY FOR MODEL 850

- Israel Aircraft Industries Model 1125 Astra and Galaxy
- DAVTRON FAA PMA # PQ1062NM.

### Model 877



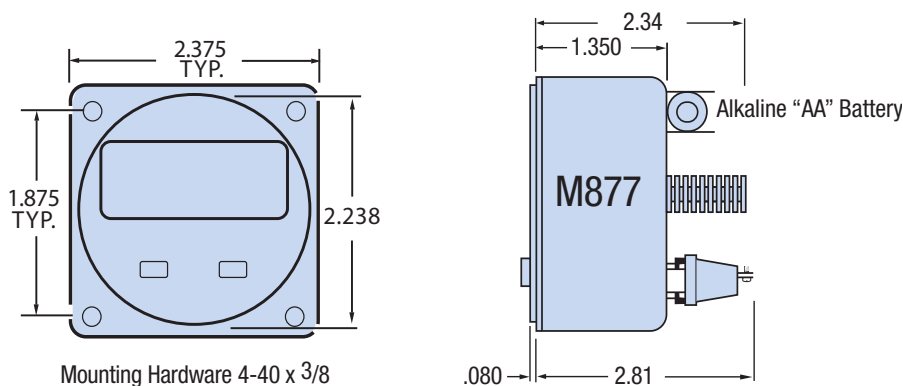
### Features

- 2 ¼" INTERNAL MOUNT
- TWO BUTTON CONTROL SYSTEM
- GREENWICH MEAN TIME
- LOCAL TIME
- FLIGHT TIME WITH ALARM
- ELAPSED TIME WITH COUNTDOWN TIMER
- ELAPSED TIME ALARM
- OPTION AUDIO ALARM
- BRIGHT SUNLIGHT READABLE DISPLAY
- AUTOMATIC DIMMING
- ILLUMINATED BUTTONS AND ANNUNCIATORS
- KEEP ALIVE BATTERY OPTION
- FAA-PMA APPROVED

### Specifications

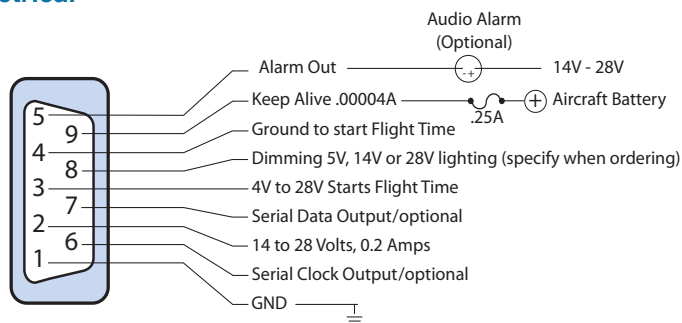
- Greenwich Mean Time: 24 hour format
- Local Time: 12 hour or 24 hour option
- Flight Time: Records in hours and minutes, up to 99:59, 99.99 hour option
- Flight Time Alarm: Full set range flight time
- Elapsed Time Count Up: Starts in minutes and seconds, then hours and minutes, up to 99:59 hours
- Elapsed Time Countdown: Settable from one second to 59 minutes and 59 seconds
- Elapsed Time Alarm: Activates at zero when counting down
- Incandescent Displays: Readable in sunlight
- Automatic Dimming
- Battery Type: N size alkaline Model 850
- Battery Type: AA size alkaline Model 877
- Keep Alive Current: .00004 amps
- Input Current: 0.2 Amps
- Input Voltage: 14 to 28 Volts (backlight available 5V, 14V, or 28V lighting - must specify when ordering)
- NVIS Option: NVIS Green A lighting for Model 850
- Black Face Plate: Engraved Nomenclature
- Grey Face Plate: Silkscreened Nomenclature
- Weight: 5 ounces
- Warranty: 1 year

### Mechanical



Part Number	Description
877-5V	GMT, LT, FT, & ET LED CLOCK 5V ILLUMINATING BUTTONS (REAR MOUNT)
877A-5V	877-5V WITH GRAY FACEPLATE
877-14V	GMT, LT, FT, & ET LED CLOCK 14V ILLUMINATING BUTTONS (REAR MOUNT)
877A-14V	877-14V WITH GRAY FACEPLATE
877-28V	GMT, LT, FT, & ET LED CLOCK 28V ILLUMINATING BUTTONS (REAR MOUNT)
877A-28V	877-28V WITH GRAY FACEPLATE
SONALERT	AUDIO ALARM FOR MODELS 800, 803, 850 & 877

### Electrical



### INSTALLATION ELIGIBILITY FOR MODEL 877

- Mystere Falcon 50 and 900
  - Learjet Airplanes 35A and 60
  - BAE Jetstream Model 4101
- DAVTRON FAA PMA # PQ1062NM.

**Model 880**

NVIS BG7B

**Military Clock**

**Model 880**

NVIS Green A



**Features**

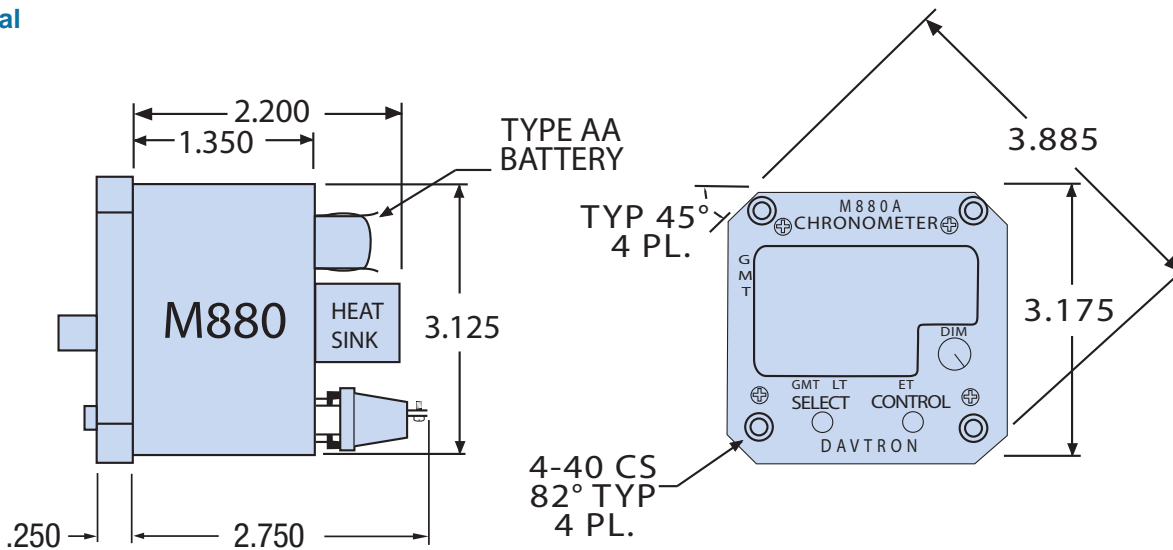
- 3 ATI FRONT MOUNT
- TWO BUTTON CONTROL SYSTEM
- LASER ENGRAVED FACEPLATE
- GMT FULL SIX-DIGIT, HOURS, MINUTES, SECONDS
- LOCAL TIME
- ELAPSED TIME WITH COUNTDOWN TIMER
- ELAPSED TIME ALARM
- CONTROL SWITCH HAS REMOTE CAPABILITY
- SUNLIGHT READABLE DISPLAY
- N.V.G. FILTER, GREEN A OR BG7B
- MANUAL DIMMING OF THE DISPLAY
- KEEP ALIVE BATTERY

**Specifications**

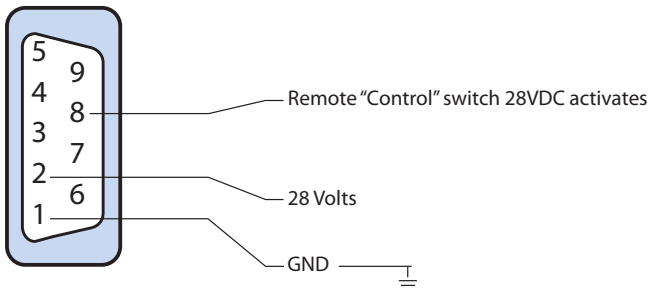
- Greenwich Mean Time: 24 hour format, full six-digit hours/minutes/seconds
- Local Time: 12 hour or 24 hour option
- Elapsed Time Count Up: Starts in minutes and seconds, then hours and minutes, up to 99:59 hours
- Elapsed Time Countdown: Settable from one second to 59 minutes, 59 seconds
- Elapsed Time Alarm: Activates at zero when counting down
- Incandescent Displays: Readable in sunlight
- Manual dimming of the display

- N.V.G. Compatible: NVIS Green A or BG7B
- Battery Type: AA size alkaline
- Input Current: 500 mA
- Input Voltage: 28 Volts
- Weight: 10 ounces
- Warranty: 1 year

**Mechanical**



**Electrical**



Part Number	Description
880A	GMT, LT, & ET MILITARY CLOCK WITH NIGHT VISION COMPATIBILITY (BG7B)
880A-S	880A WITH NIGHT VISION COMPATIBILITY (GREEN A)
880-28	RESISTOR 20 OHM 1% 25W ALUM HOUSED

**Model 655**



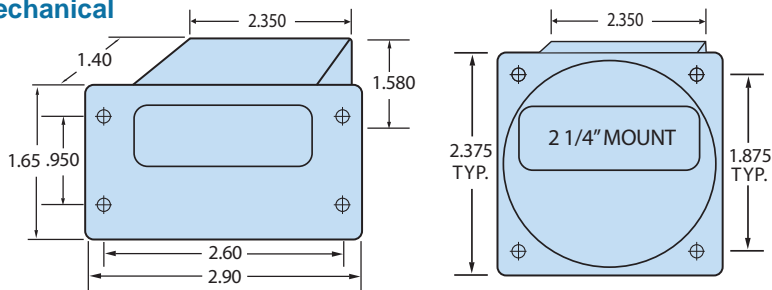
**Features**

- 2 1/4" STANDARD MOUNT OR FRONT MOUNT
- OUTSIDE AIR TEMPERATURE (°F)
- OUTSIDE AIR TEMPERATURE (°C)
- PRESSURE ALTITUDE
- DENSITY ALTITUDE
- AIRCRAFT VOLTAGE
- VOLTAGE ALARM (NOT ON NVG UNIT)
- DEVIATION ALARM (NOT ON NVG UNIT)
- SUNLIGHT READABLE DISPLAY
- FAA-PMA APPROVED

**Specifications**

- Density Altitude: -10,000 to 30,000 ft.
- Pressure Altitude: -1,000 to 62,700 ft.
- Temperature Range: -55°C to +100°C, -67°F to +212°F
- Accuracy: +/- 1% of full scale
- Voltage Range: 10 to 32 Volts
- Input Voltage: 14 to 28 Volts
- Input Current: .35 Amps max.
- Weight: 5 ounces
- Warranty: 1 year

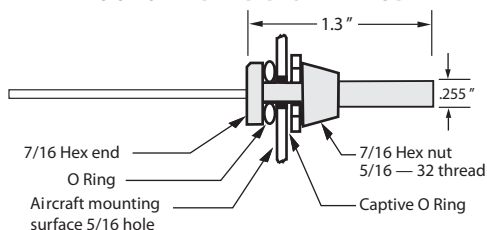
**Mechanical**



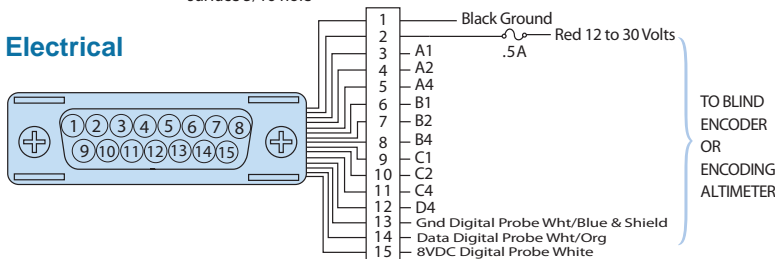
M-655-1 Panel Mount

M-655-2 Clock Mount

**12 FOOT STANDARD DIGITAL PROBE**



**Electrical**

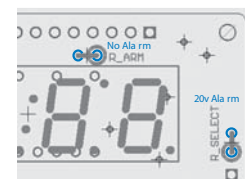


**Part Number Description**

Part Number	Description
650-1	DISPLAYS ONLY PRESSURE ALTITUDE (FRONT MOUNT) (TEMP. PROBE INCLUDED)
650-2	DISPLAYS ONLY PRESSURE ALTITUDE (REAR MOUNT) (TEMP. PROBE INCLUDED)
655-1	O.A.T. C & F/ PRESSURE & DENSITY ALT/ DC VOLTAGE/ (FRONT MOUNT) (TEMP. PROBE INCLUDED) VOLTAGE & DEVIATION ALARM
655-2	O.A.T. C & F/ PRESSURE & DENSITY ALT/ DC VOLTAGE (REAR MOUNT) (TEMP. PROBE INCLUDED) VOLTAGE & DEVIATION ALARM
655-2-NVG	O.A.T. C & F/ PRESSURE & DENSITY ALT/ DC VOLTAGE (REAR MOUNT) (TEMP. PROBE INCLUDED) NVG GREEN A
655-PROBE	PROBE-7FT-RB TEMP PROBE 7FT RED/BLK TWISTED (ANALOG) 301,303,307 & 655; NOTE: UNITS WITH "D" IN THE SERIAL # USE A DIGITAL PROBE
C307PS	PROBE-12FT-WHT-C307PS TEMP PROBE 12FT WHITE (ANALOG) 301,303,307, 655 & 803; NOTE: UNITS WITH "D" IN THE SERIAL # USE DIGITAL PROBE
D307PS	PROBE-12FT-WHT-D TEMP PROBE 12FT WHITE DIGITAL (FOR UNITS WITH "D" IN THE SERIAL #; MODELS 301, 303, 307 & 655)
RP-PROBE-NUT	NUT FOR TEMP PROBE (MODEL 301, 303 307, 655 & 803)

**Voltage Alarm**

Unit default alarm set to flash 11v or below  
 R\_ARM & R\_SELECT located on front board  
 Alarm off/1.5 ohm resistor on R\_ARM  
 Alarm 20v or less/1.5 ohm resistor on R\_SELECT



**INSTALLATION ELIGIBILITY FOR MODEL 655**

- Beech Models 35, A35, B35, C35, D35, E35, F35, G35, H35, J35, K35, M35, N35, 35-33, and 35-A33

DAVTRON FAA PMA # PQ1062NM.

**Model 650**



**Features**

- UNIT FOR TESTING BLIND ENCODERS ON TEST BENCH**
- PRESSURE ALTITUDE
- AUTOMATIC DIMMING
- SUNLIGHT READABLE DISPLAY

**Specifications**

- Pressure Altitude: -1,000 to +62,700 ft.
- Input Voltage: 14 to 28 Volts
- Input Current: 0.35 Amps max.
- Weight: 5 ounces
- Warranty: 1 year

### Model 450



### Features

- MINIMUM PANEL SPACE
- LIGHT WEIGHT
- AUTOMATIC DIMMING
- SUNLIGHT READABLE DISPLAY
- LASER ENGRAVED FACEPLATE
- VOLTAGE WITH FLASHING ALARM
- FAA-PMA APPROVED

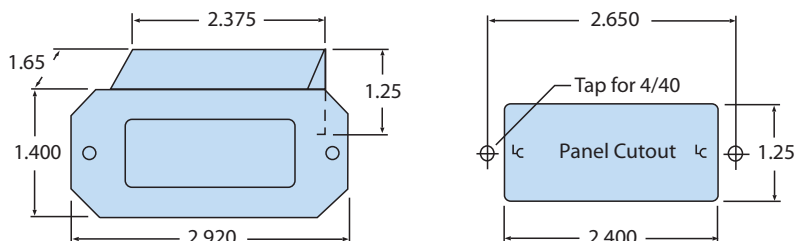
### Specifications

- Range: 8 to 32 Volts
- Input Voltage: 14 to 28 Volts
- Resolution: 0.1 Volt
- Input Current: 150 mA max.
- Operating Temp: -25°C to +60°C
- Accuracy: +/- 1% of full scale
- Weight: 3 ounces
- Warranty: 1 year

### Part Number Description

Part Number	Description
450	VOLTMETER AMBER LED
450A	VOLTMETER AMBER LED WITH REMOTE SENSING
450-GRN	VOLTMETER GREEN LED
450A-GRN	VOLTMETER GREEN LED WITH REMOTE SENSING
450-WHT	VOLTMETER WHITE LED
450A-WHT	VOLTMETER WHITE LED WITH REMOTE SENSING

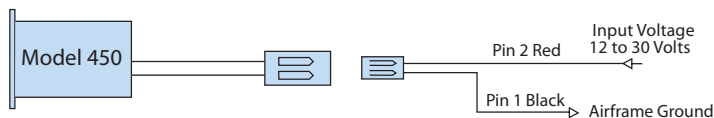
### Mechanical



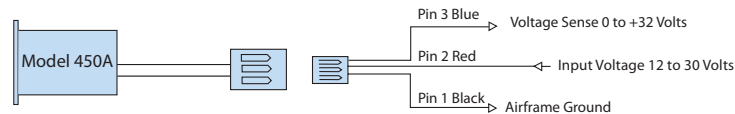
### INSTALLATION ELIGIBILITY FOR MODEL 450

- Beech 35, A35, B35, C35, D35, E35, F35, G35, H35, J35, K35, M35, N35, 35-33, 35-33A, with STC SA4381WP or SA4193 installed
- DAVTRON FAA PMA # PQ1062NM.

### M450 Electrical



### M450A Electrical



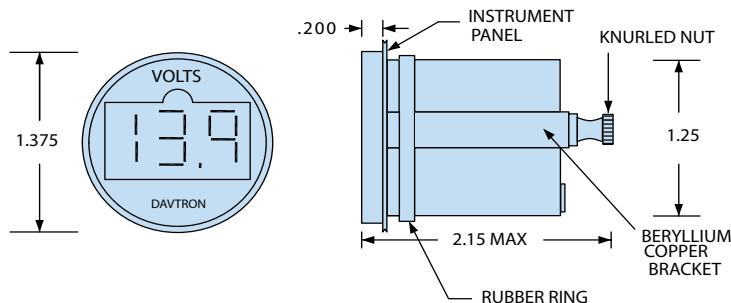
### Model 451



### Features

- MINIMUM PANEL SPACE
- LIGHT WEIGHT
- AUTOMATIC DIMMING
- SUNLIGHT READABLE DISPLAY
- VOLTAGE
- FAA-PMA APPROVED

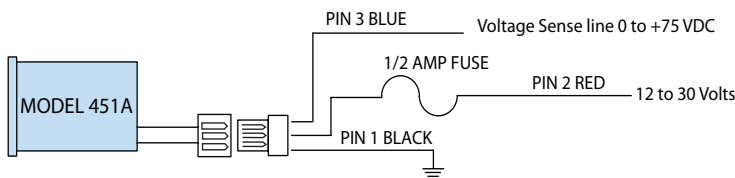
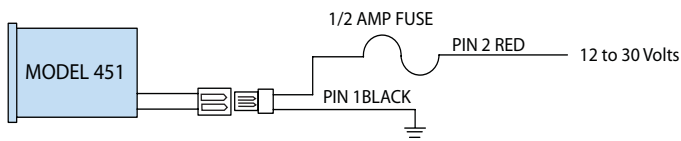
### Mechanical



### Specifications

- Range: 8 to 32 Volts
- Input Voltage: 14 to 28 Volts
- Resolution: 0.1 Volt
- Input Current: 150 mA max.
- Operating Temp: -25°C to +60°C
- Accuracy: +/- 1% of full scale
- Warranty: 1 year

### Electrical



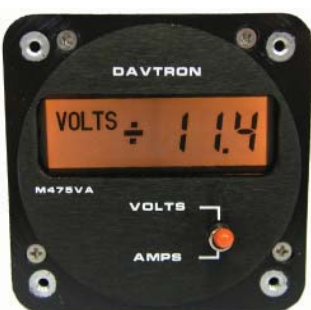
### Part Number Description

451	VOLTMETER/1.25 ROUND MOUNT
451A	VOLTMETER/1.25 WITH REMOTE SENSING

### INSTALLATION ELIGIBILITY FOR MODEL 451

- Beech 35, A35, B35, C35, D35, E35, F35, G35, H35, J35, K35, M35, N35, 35-33, 35-33A, with STC SA4381WP or SA4193 installed
- DAVTRON FAA PMA # PQ1062NM.

**Model 475VA**



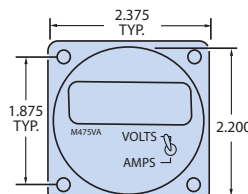
**Model 475VAA**



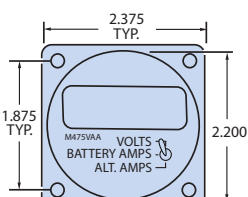
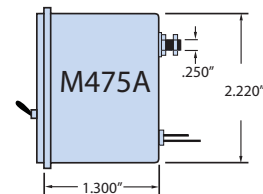
**Features**

- LOW CURRENT DRAIN .001 AMP
- PLUS OR MINUS 150.0 AMP RANGE
- PLUS 100.0 VOLT D.C. RANGE
- SUNLIGHT READABLE DISPLAY
- ONE TENTH AMP RESOLUTION
- ONE TENTH VOLT RESOLUTION
- FAA-PMA APPROVED

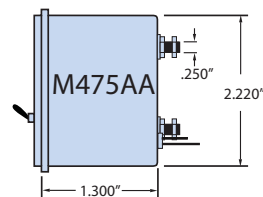
**Mechanical**



Mounting Hardware  
4-40 3/4 Maximum Length



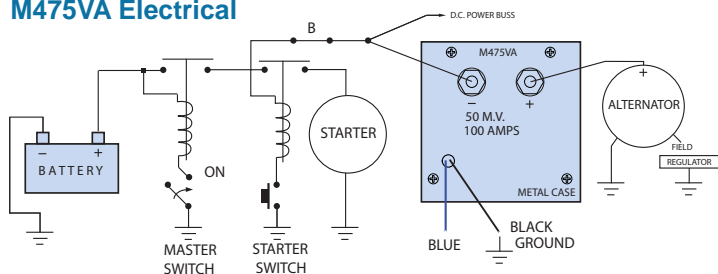
Mounting Hardware  
4-40 3/4 Maximum Length



**Specifications**

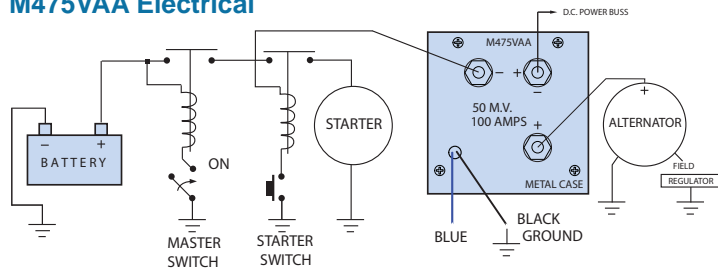
- Range: 8 to 32 Volts
- Input Voltage: 14 to 28 Volts
- Resolution: 0.1 Volt
- Input Current: 150 mA max.
- Operating Temp.: -25°C to +60°C
- Accuracy: +/- 1% of full scale
- Warranty: 1 year

**M475VA Electrical**



14 VOLT M.A. OR 28 VOLTS 50 M.A. BACK LIGHTING  
CONNECT TO PANEL LIGHTS

**M475VAA Electrical**



14 VOLT M.A. OR 28 VOLTS 50 M.A. BACK LIGHTING  
CONNECT TO PANEL LIGHTS

**Part Number Description**

Part Number	Description
475VA-5V	2 FUNCTION DC VOLTS & AMPS 5V LIGHTING
475VA-14V	2 FUNCTION DC VOLTS & AMPS 14V LIGHTING
475VA-28V	2 FUNCTION DC VOLTS & AMPS 28V LIGHTING
475VA-R-28V	VOLT AMP METER REMOTE/28V LIGHTING
475VA-5V-NVG	2 FUNCTION DC VOLTS & AMPS 5V LIGHTING W/ NVG
475VA-14V-NVG	2 FUNCTION DC VOLTS & AMPS 14V LIGHTING W/ NVG
475VA-28V-NVG	2 FUNCTION DC VOLTS & AMPS 28V LIGHTING W/ NVG
475VAA-5V	DC VOLTS/BATT AMP/ALT AMP 5V LIGHTING
475VAA-14V	DC VOLTS/BATT AMP/ALT AMP 14V LIGHTING
475VAA-28V	DC VOLTS/BATT AMP/ALT AMP 28V LIGHTING
475VAA-R-28V	VOLT AMP METER WITH REMOTE 28V LIGHTING
475VAA-5V-NVG	DC VOLTS/BATT AMP/ALT AMP 5V LIGHTING W/ NVG
475VAA-14V-NVG	DC VOLTS/BATT AMP/ALT AMP 14V LIGHTING W/ NVG
475VAA-28V-NVG	DC VOLTS/BATT AMP/ALT AMP 28V LIGHTING W/ NVG
475VA-R-28V-NVG	VOLT AMP METER WITH REMOTE 28V LIGHTING W/ NVG

**INSTALLATION ELIGIBILITY FOR MODEL 475**

- Waco Models Classic Waco F5 and Classic Waco F5C
- DAVTRON FAA PMA # PQ1062NM.

## Model 301



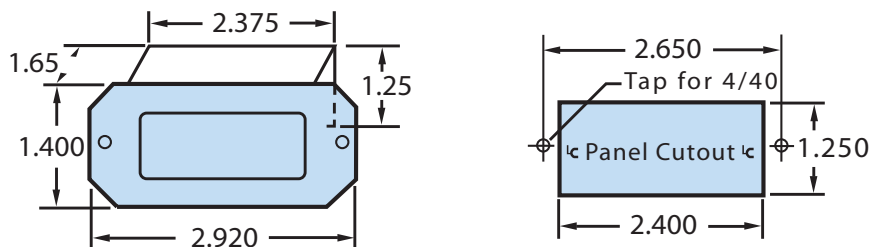
### Features

- FAHRENHEIT OR CELSIUS
- MINIMUM PANEL SPACE
- LIGHT WEIGHT
- AUTOMATIC DIMMING
- MINIATURE REMOTE PROBE
- SUNLIGHT READABLE DISPLAY
- LASER ENGRAVED FACEPLATE
- FAA-PMA APPROVED

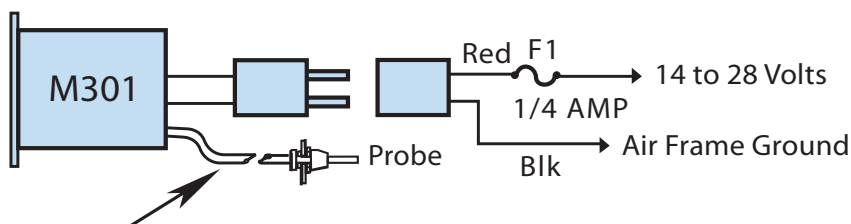
### Specifications

- Temp. Range: 301C -40°C to +100°C Accuracy ±1% of full scale
  - Temp. Range: 301F -40°F to +199°F Accuracy ±1% of full scale
  - Input Voltage: 14 to 28 Volts
  - Input Current: 150 mA max.
  - LED Display
  - Operating Temp.: -25°C to +60°C
  - Weight: 4 ounces
  - Warranty: 1 year
- Complete with digital probe

### Mechanical



### Electrical



12ft Standard digital probe length

### INSTALLATION ELIGIBILITY FOR MODEL 301

- Schweizer Model 269D
  - Diamond Aircraft Model DA20-A1
- DAVTRON FAA PMA # PQ1062NM.

Part Number	Description
301C	O.A.T. CELSIUS (TEMP. PROBE INCLUDED)
301C-A	301C WITH 3 PIN CONNECTOR FOR PROBE (TEMP. PROBE INCLUDED)
301F	O.A.T. FAHRENHEIT (TEMP. PROBE INCLUDED)
301F-A	301F WITH 3 PIN CONNECTOR FOR PROBE (TEMP. PROBE INCLUDED)
301C-GRN	O.A.T. CELSIUS WITH GREEN LED
301C-WHT	O.A.T. CELSIUS WITH WHITE LED
301C-A-GRN	301C WITH 3 PIN CONNECTOR FOR PROBE GREEN LED
301C-A-WHT	301C WITH 3 PIN CONNECTOR FOR PROBE WHITE LED
301F-GRN	O.A.T. FAHRENHEIT GREEN LED
301F-WHT	O.A.T. FAHRENHEIT WHITE LED
301F-A-GRN	301F WITH 3 PIN CONNECTOR FOR PROBE GREEN LED
301F-A-WHT	301F WITH 3 PIN CONNECTOR FOR PROBE WHITE LED
655-PROBE	PROBE-7FT-RB TEMP PROBE 7FT RED/BLK TWISTED (ANALOG) 301,303,307 & 655; NOTE: UNITS WITH "D" IN THE SERIAL # USE A DIGITAL PROBE
C307PS	PROBE-12FT-WHT-C307PS TEMP PROBE 12FT WHITE (ANALOG) 301,303,307, 655 & 803; NOTE: UNITS WITH "D" IN THE SERIAL # USE A DIGITAL PROBE
D307PS	PROBE-12FT-WHT-D TEMP PROBE 12FT WHITE DIGITAL (FOR UNITS WITH "D" IN THE SERIAL #; MODELS 301, 303, 307 & 655)
RP-PROBE-NUT	NUT FOR TEMP. PROBE (REQUEST ADDITIONAL O RING AND WASHER IF NEEDED)

**Model 303**



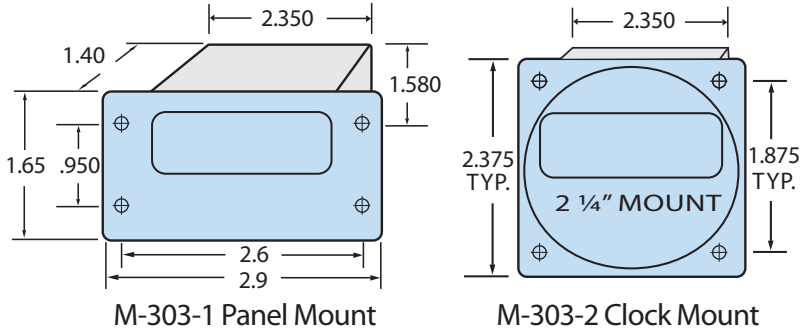
**Features**

- LIGHT WEIGHT
- 2 1/4" STANDARD MOUNT OR FRONT MOUNT
- AUTOMATIC DIMMING
- MINIATURE REMOTE PROBE
- SUNLIGHT READABLE DISPLAYS
- OUTSIDE AIR TEMPERATURE (°F)
- OUTSIDE AIR TEMPERATURE (°C)
- AIRCRAFT VOLTAGE WITH ALARM
- LASER ENGRAVED FACEPLATE
- FAA-PMA APPROVED

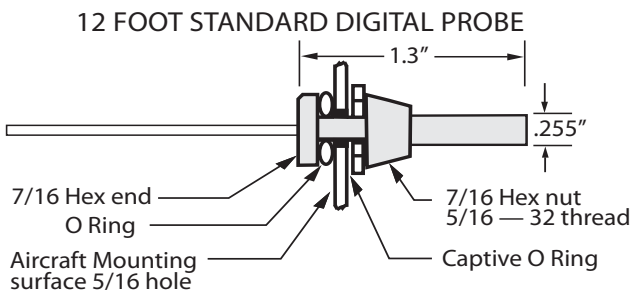
**Specifications**

- Temperature range: -40°C to +100°C, -40°F to +212°F
- Operating Temp: -25°C to +60°C
- Voltage Range: 10 to 32 Volts +/- 0.2 Volts Typ.
- LED with automatic dimming
- Input Voltage: 14 to 28 Volts
- Input Current: 100 mA max.
- Weight: 5 ounces
- Warranty: 1 year
- Complete with digital probe

**Mechanical**



Part Number	Description
303-1	O.A.T. F & C VOLTAGE FRONT MOUNT (TEMP. PROBE INCLUDED)
303-2	O.A.T. F & C VOLTAGE REAR MOUNT (TEMP. PROBE INCLUDED)
655-PROBE	PROBE-7FT-RB TEMP PROBE 7FT RED/BLK TWISTED (ANALOG) 301,303,307 & 655; NOTE: UNITS WITH "D" IN THE SERIAL # USE A DIGITAL PROBE
C307PS	PROBE-12FT-WHT-C307PS TEMP PROBE 12FT WHITE (ANALOG) 301,303,307, 655 & 803; NOTE: UNITS WITH "D" IN THE SERIAL # USE A DIGITAL PROBE
D307PS	PROBE-12FT-WHT-D TEMP PROBE 12FT WHITE DIGITAL (FOR UNITS WITH "D" IN THE SERIAL #, MODELS 301, 303, 307 & 655)
PROBE-NUT	NUT FOR TEMP. PROBE (REQUEST ADDITIONAL O RING AND WASHER IF NEEDED)



**VOLTAGE ALARM**

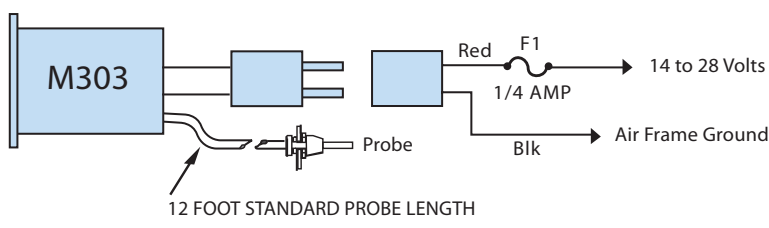
Unit default alarm set to flash 11v or below R\_ARM & R\_SELECT located on front board  
 Alarm off/1.5 ohm resistor on R\_ARM  
 Alarm 20v or less/1.5 ohm resistor on R\_SELECT



**INSTALLATION ELIGIBILITY FOR MODEL 303**

- Beech 35, A35, B35, C35, D35, E35, F35, G35, H35, J35, K35, M35, N35, 35-33, and 35-A33
- DAVTRON FAA PMA # PQ1062NM.

**Electrical**



## Features

- MINIMUM PANEL SPACE
- LIGHT WEIGHT
- AUTOMATIC DIMMING
- MINIATURE REMOTE PROBE
- LED DISPLAY
- SUNLIGHT READABLE DISPLAY
- LASER ENGRAVED FACEPLATE
- CENTRIGRADE
- FAHRENHEIT
- FAA-PMA APPROVED

### Model 307FC



### Model 307FCI



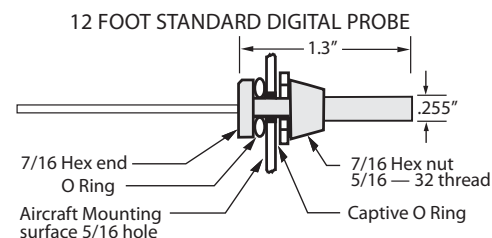
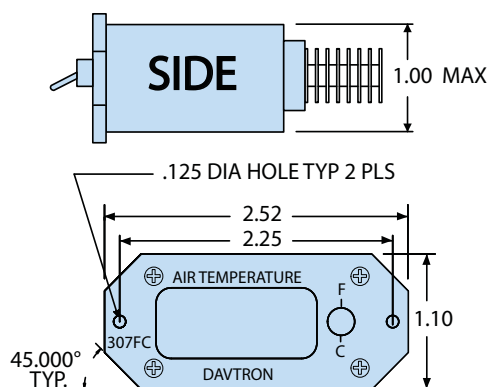
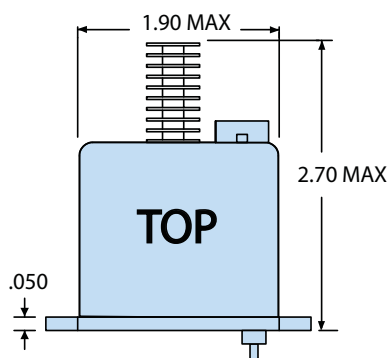
### Model 307FCE



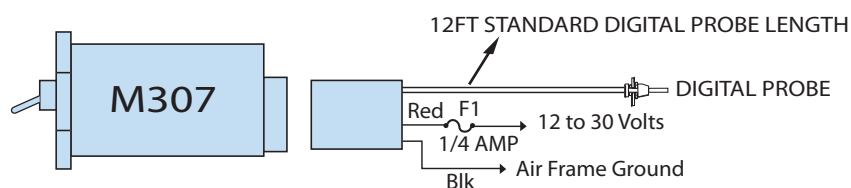
## Specifications

- Temp. Range: 307FC -40°C to +100°C Accuracy ±1% of full scale
  - Temp. Range: 307FC -40°F to +199°F Accuracy ±1% of full scale
  - Input Voltage: 14 to 30 Volts
  - Input Current: 150 mA max.
  - Operating Temp. -25°C to +60°C
  - Weight: 4 ounces
  - Warranty: 1 year
- Complete with digital probe

## Mechanical

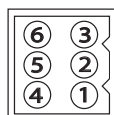


## Electrical



### CONNECTOR PIN ASSIGNMENTS

- PIN 1 GROUND
- PIN 2 DATA DIGITAL PROBE
- PIN 3 GROUND DIGITAL PROBE & TEFLON SHIELD
- PIN 4 12 to 30 VOLTS POWER INPUT
- PIN 5 8VDC DIGITAL PROBE
- PIN 6



CONNECTOR REAR VIEW

### Part Number Description

Part Number	Description
307FC	OUTSIDE AIR TEMPERATURE F & C (TEMP. PROBE INCLUDED)
307FCE	DIGITAL OAT (FC) VOLTMETER
307FCI	OUTSIDE AIR TEMPERATURE F & C CABIN AIR (TEMP. PROBE INCLUDED)

### INSTALLATION ELIGIBILITY FOR MODEL 307FC-FCE

- Robinson Helicopter Models R22 and R44
- DAVTRON FAA PMA # PQ1062NM.

### INSTALLATION ELIGIBILITY FOR MODEL 307FCI

- DeHavilland Models Dash-8, Series 100 (Model 101, 102, 103)
- DAVTRON FAA PMA # PQ1062NM.

**Model 307CD**



**Model 307FD**



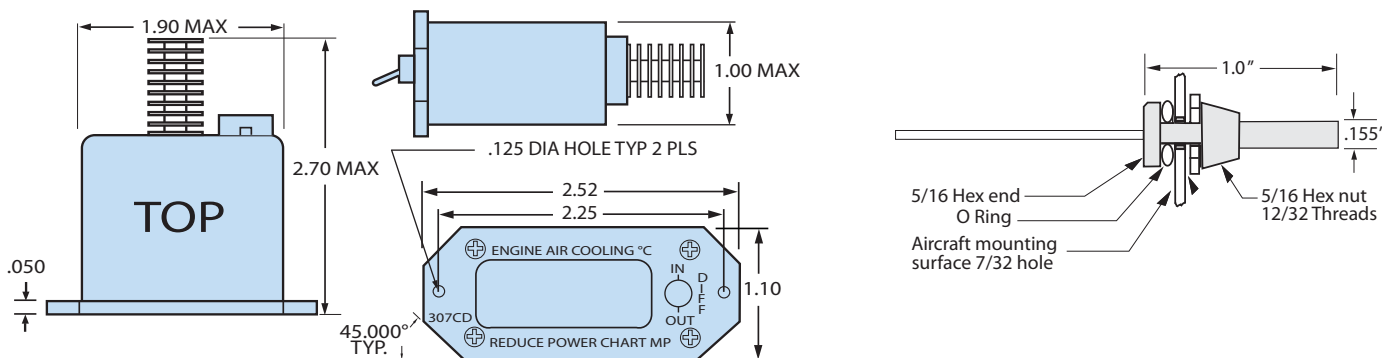
**Features**

- MINIMUM PANEL SPACE
- LIGHT WEIGHT
- AUTOMATIC DIMMING
- MINIATURE REMOTE PROBE
- SUNLIGHT READABLE DISPLAYS
- LASER ENGRAVED FACEPLATE
- FAHRENHEIT OR CELSIUS
- FAA-PMA APPROVED

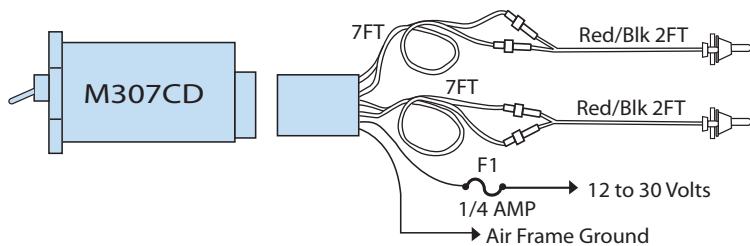
**Specifications**

- Temp. Range: 307CD -65°C to +150°C Accuracy ±1% of full scale
  - Temp. Range: 307FD -70°F to +290°F Accuracy ±1% of full scale
  - Input Voltage: 12 and 30 Volts
  - Input Current: 150 mA max.
  - Operating Temp.: -25°C to +60°C
  - Weight: 4 ounces
  - Warranty: 1 year
- Complete with analog probes

**Mechanical**

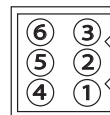


**Electrical**



**CONNECTOR PIN ASSIGNMENTS**

- PIN 1 GROUND
- PIN 2 8VDC T-OUT PROBE
- PIN 3 SIGNAL T-OUT PROBE
- PIN 4 12 to 30 VOLTS POWER INPUT
- PIN 5 8VDC T-IN PROBE
- PIN 6 SIGNAL T-IN PROBE



**CONNECTOR REAR VIEW**

**INSTALLATION ELIGIBILITY**

- Piper Aircraft Models PA-28-201-T, PA-28R-201T, and PA-28RT-201T
- DAVTRON FAA PMA # PQ1062NM.

Part Number	Description
307CD	CELSIUS DIFFERENTIAL INTERCOOLER GAUGE WITH MINI TEMP. PROBE INCLUDED
307FD	FAHRENHEIT DIFFERENTIAL INTERCOOLER GAUGE W/ MINI TEMP. PROBE INCLUDED
307CD-PROBE	MINI 2FT TEMP. PROBE COAX (ANALOG), 307CD & 307FD

**Model 903**



903-2

**Model 903**

Front Mount



903-1

**Model 903ID**



903ID-2

**Model 903ID**

Front Mount



903ID-1

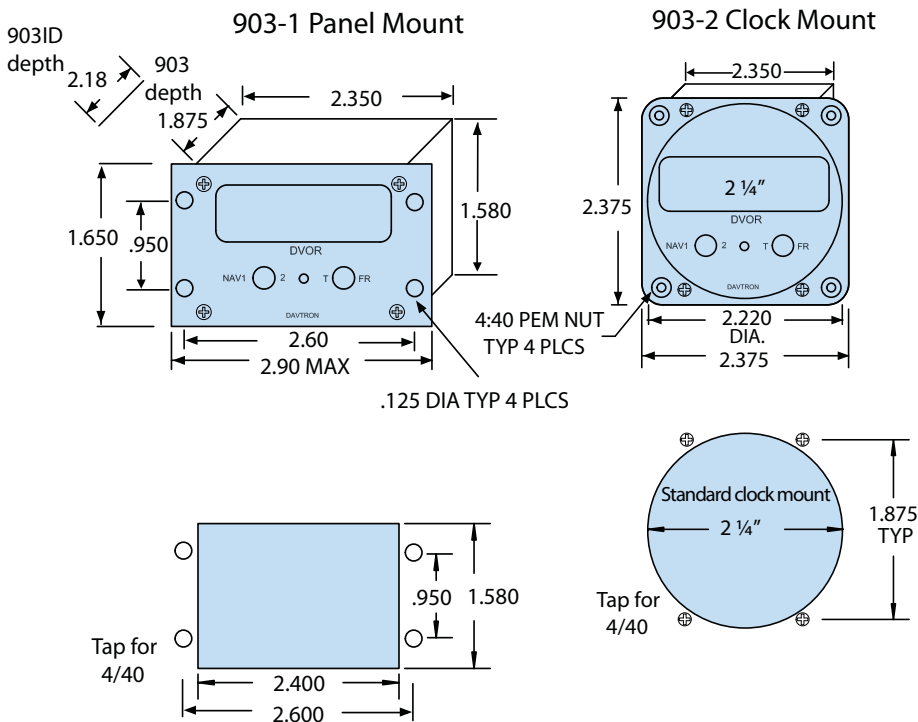
**Features**

- AUTOMATIC VOR POSITION ORIENTATION
- LOCALIZER DEVIATION AND CENTERLINE
- ALPHANUMERIC STATION IDENTIFY "ID" M903ID
- INSTANT TO/FROM SWITCHING
- DIGITAL FILTERING AND SIGNAL PROCESSING
- AUTOMATIC DIMMING
- SUNLIGHT READABLE DISPLAY
- SERIAL ASCII OUTPUT OF STATION & RADIAL OFF FLAG, "----"
- FAA-PMA APPROVED

**Specifications**

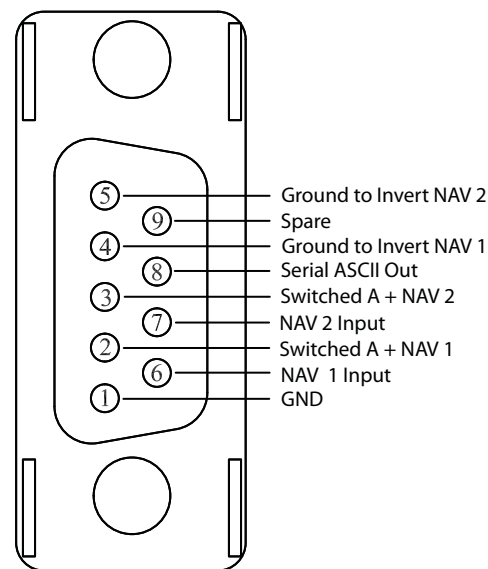
- Input Voltage: 14 to 28 Volt
- Input Signal: 0.35 to 10 Volts
- Supply Current: 0.3 Amps
- Operating Temperature Range: -20°C to +55°C
- DVOR Accuracy: +/- 2 degrees
- Weight: 6 ounces
- Warranty: 1 year

**Mechanical**



Part Number	Description
903-1	DVOR W/LOC BAR (FRONT MOUNT)
903-2	DVOR W/LOC BAR (REAR MOUNT)
903ID-1	903-1 DVOR WITH DIGITAL ID (FRONT MOUNT)
903ID-2	903-2 DVOR WITH DIGITAL ID (REAR MOUNT)

**Electrical**



**INSTALLATION ELIGIBILITY FOR MODEL 903**

• Beech Models 35, A35, B35, C35, D35, E35, F35, G35, H35, J35, K35, M35, N35, 35-33, and 35-133  
 DAVTRON FAA PMA # PQ1062NM.

655-PROBE (Analog)

C307PS (Analog)

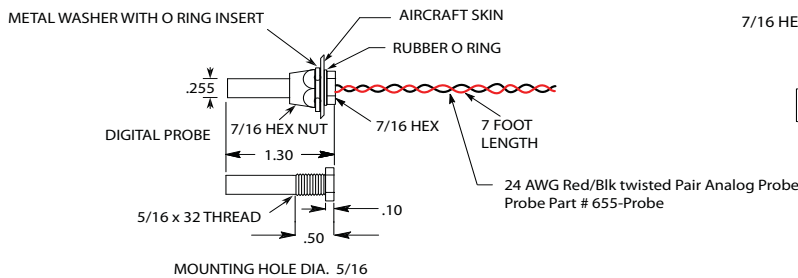
307CD-PROBE (Analog)

Features

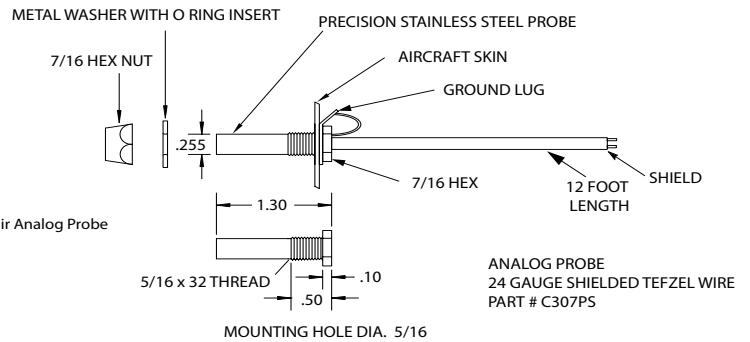


- Linear Current Output: 1uA/K (AD590KH)
- Wide Temperature Range: -55°C to 150°C (AD590KH)
- 2-Terminal Device: Voltage in/current out (AD590KH)
- Wide Power Supply Range: 4 to 30 Volts (AD590KH)
- Probe Case & Nut Nickel Plated
- Probe DO160 Salt-fog Tested

655-PROBE Mechanical

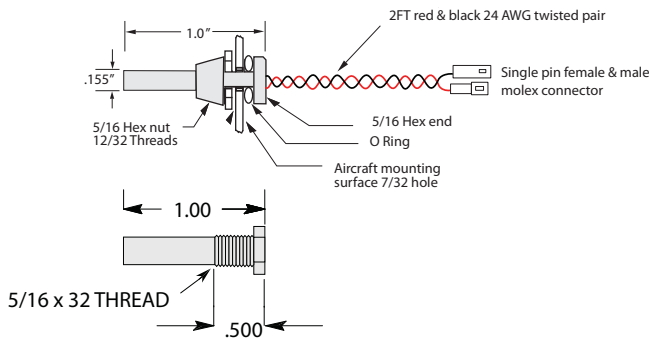


C307PS Mechanical



Part Number	Description
655-PROBE	PROBE-7FT-RB TEMP PROBE 7FT RED/BLK TWISTED (ANALOG) 301,303,307 & 655; NOTE: UNITS WITH "D" IN THE SERIAL # USE A DIGITAL PROBE
655-PROBE-25FT	TEMP PROBE 25FT RED/BLK TWISTED (ANALOG) 301,303,307 & 655; NOTE: UNITS WITH "D" IN THE SERIAL # USE A DIGITAL PROBE
D307PS	PROBE-12FT-WHT-D TEMP PROBE 12FT WHITE DIGITAL (FOR UNITS WITH "D" IN THE SERIAL #; MODELS 301, 303, 307 & 655)
C307PS	PROBE-12FT-WHT-C307PS TEMP PROBE 12FT WHITE (ANALOG) 301,303,307, 655 & 803; NOTE: UNITS WITH "D" IN THE SERIAL # USE DIGITAL PROBE
PROBE-NUT	NUT FOR TEMP. PROBE (REQUEST ADDITIONAL O RING AND WASHER IF NEEDED)
307CD-PROBE	MINI 2FT TEMP. PROBE COAX (ANALOG), 307CD & 307FD

PART # 307CD-PROBE

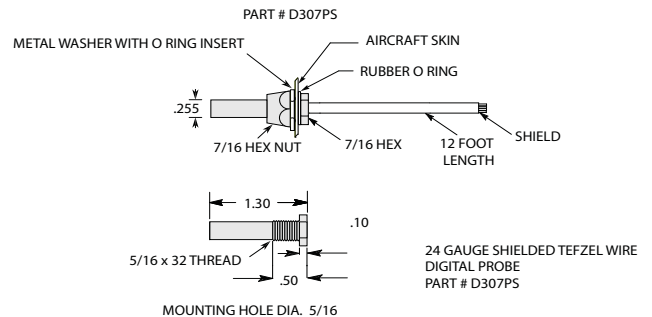


D307PS (Digital)

Features



- UNIQUE 1-WIRE® INTERFACE REQUIRES ONLY ONE PORT PIN FOR COMMUNICATION
- EACH DEVICE HAS A UNIQUE 64-BIT SERIAL CODE STORED IN AN ONBOARD ROM
- MULTIDROP CAPABILITY SIMPLIFIES DISTRIBUTED TEMPERATURE SENSING APPLICATIONS
- REQUIRES NO EXTERNAL COMPONENTS
- CAN BE POWERED FROM DATA LINE. POWER SUPPLY RANGE IS 3.0V TO 5.5V
- PROBE CASE & NUT NICKEL PLATED
- PROBE DO160 SALT-FOG TESTED



# THE CHOICE OF PROFESSIONAL PILOTS

## MODEL 800



- GMT, LT, & ET
- ET counter (up/down), visual alarm
- External output for optional audio alarm (ET)
- Internal lighting
- AA Memory Battery (optional)
- NVIS Green A option

- UT, LT, FT, & ET
- FT & ET visual alarm
- External output for optional audio alarm (FT/ET)
- Aircraft Voltage
- OAT F/OAT C/12 ft. temp. probe
- Internal lighting
- AA memory battery or keep alive
- NVIS Green A option

## MODEL 803



## MODEL 307



- OAT (F) & OAT (C)
- Bright sunlight readable displays
- Automatic dimming
- 12 ft. temperature probe included

## MODEL 450



- Aircraft Voltage with flashing alarm
- Bright sunlight readable displays
- Automatic dimming

## MODEL 301



- Model 301F OAT (F)
- Model 301C OAT (C)
- Bright sunlight readable displays
- Automatic dimming
- 12 ft. temperature probe included

- OAT (F) & OAT (C)
- Pressure & Density Altitude with pressure alt. alarm
- Aircraft Voltage with flashing alarm
- 12 ft. temperature probe included

## MODEL 655

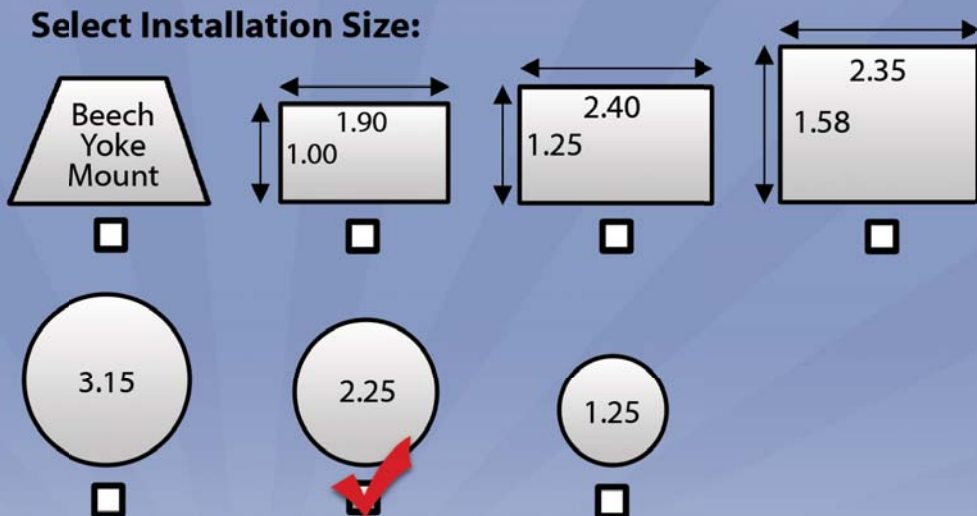


*Davtron, Inc. has a new search feature that allows you to Narrow the product by function and fit. Check out [www.davtron.com](http://www.davtron.com) to learn more.*

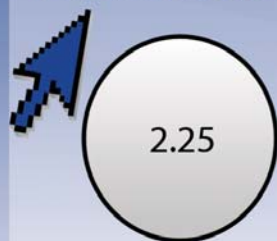
### Select Features:

- Clock
- Temperature Fahrenheit
- Temperature Celsius
- Voltage
- Amp
- Pressure Density
- Pressure Altitude
- VOR
- Night Vision Green A

### Select Installation Size:



### Product Search Results:



M800



M803



M811



M850

## About Us

Davtron's design and manufacturing of avionics instruments began in the late 1960s when digital technology was just beginning. Dave Torresdal, a young pilot in Redwood City, California had an idea for a better way to tune an ADF indicator. He designed, engineered, and flight tested a digital indicator in his 1958 Commanche, and soon other local pilots were clamoring to buy one. Dave's second product was the 811B digital clock which has sold over 40,000 units worldwide and is still in production today.

As private pilots began utilizing these products, industry magazines published positive reviews and the company was well on its way to becoming a leader in digital avionics. Davtron's products have earned a reputation for their functional ease of use and for the type of LED displays which make our instruments' readability effective for both day and night flight. Davtron has built its reputation on quality products and excellent customer service. The company's variety of digital clocks, temperature gauges, voltmeters, and multi-function instruments provide business jets and smaller aircraft with the right instruments to suit all pilot needs.

In the early 1980's Davtron was approached by the Flight Crew of Air Force One and the Boeing Company to design and build a multi-function clock for the new Air Force One Presidential 747 fleet. This design displays three different time zones (Washington time, Local time, and Destination time) and all three are displayed in every cabin of the aircraft. This allows the President of the United States and his passengers to view the time in Washington DC, the local time zone they are flying through, as well as the time in their ultimate destination.

Davtron, Inc. has business relationships with many aircraft manufacturers worldwide including: Gulfstream Aerospace; Cessna Aircraft; Bombardier Learjet; DeHavilland; Canadair; Hawker Beechcraft; Robinson Helicopter; Bell Helicopter; Sikorsky Aircraft; Dassault Falcon Jet; British Aerospace; Israeli Aircraft Industries and Piaggio.

Whether you are a corporate pilot of a business jet transporting company executives worldwide, or a private pilot flying your own small aircraft for enjoyment, Davtron instruments help make your flight the best it can be.

## Support

**Technical Support:** If you should need technical support, first check out the "Frequently Asked Questions" tab related to your unit. If you are unable to fix the problem, Davtron has on-site technicians who can help you step-by-step over the phone. You can call our main line at (866) 369-5588 and ask for technical support or email [info@davtron.com](mailto:info@davtron.com).

**Warranty Policy:** Davtron's warranty policy is one year from date of installation on all parts, excluding batteries.

**Repair Info:** Davtron offers one day turn-around service on most repairs. We charge a flat labor rate of \$60.00, plus parts and shipping. If repairs are returned to factory via Federal Express®, we can sometimes get them out the same day. Davtron does not require a RMA #.

When sending in a unit for repair, include our repair form found on our website describing the problem occurring with unit as well as your return address and contact information.



**Ship to:**  
Davtron, Inc.  
Attn: Repair Dept.  
427 Hillcrest Way  
Emerald Hills, CA 94062



[www.davtron.com](http://www.davtron.com)

866-369-5588 toll-free  
650-369-9988 fax

427 Hillcrest Way  
Emerald Hills, CA 94062