

MB800 DIGITAL CLOCK

FOR THE BEECHCRAFT BONANZA



- Greenwich Mean Time
- Local Time
- Elapsed Time Count-Up
- Elapsed Time Count-Down, with Alarm

2/3 scale

FEATURES

- Two button control system is natural and error free. Setting operations are identical for both alarm and time setting. (Patent Pending)
- Greenwich Mean time in 24 hour format.
- Local time in 12 hour format, 24 hour option when ordering.
- Elapsed Time counter, from 1 second to 99 hours, 59 minutes.
- Elapsed Time countdown timer, from 1 second to 1 hour.
- Elapsed Time visual alarm activated when countdown reaches zero.
- Alarm flashes display and has external output.

- LIQUID CRYSTAL DISPLAY has high contrast in bright sunlight. Display has a patent pending lighting system that provides uniform night illumination. The display has an ultraviolet filter to prevent sunlight damage. The LCD used in the MB800 has high humidity protection and uses a fluid operable over a wide temperature range. Display voltage required is slightly higher than what a battery can provide, aircraft power is required to drive the display, .0003 Amps at 14 V.
- A 4 MegaHertz crystal precision time reference.



427 HILLCREST WAY
REDWOOD CITY, CA 94062

OPERATION

The SELECT button selects what is to be displayed and the CONTROL button controls what is displayed. The SELECT button sequentially selects GMT, LT, ET, and back to GMT. The CONTROL button starts and resets elapsed time, ET, when momentarily pushed. The normal operation of the MB800 cannot result in accidental time setting.

SETTING GMT

Select GMT for display with the SELECT button. Press SELECT and CONTROL simultaneously to enter set mode. The tens of hours digit will start flashing. The CONTROL button controls the flashing digit and each button push increments the digit. Once the flashing digit is set the SELECT button selects the next digit to be set, from left to right across the display. After the last digit is set a final press of the SELECT button will exit the clock from set mode. The display annunciator will resume its normal flashing to indicate the clock is running.

SETTING LT

Select Local Time, LT, using the SELECT button. Enter the set mode by pressing both buttons, the tens of hours digit will start flashing. The setting operation is the same as GMT except that minutes are already synchronized with GMT and can not be set in LT.

TEST MODE

Hold the SELECT button down for 3 seconds and the display will read 88:88. All three annunciators will be on.

ET COUNT UP

Select ET for display. Pressing the CONTROL button will start ET counting up in minutes, seconds until reaching 59 minutes and 59 seconds. ET will then start counting in hours and minutes up to 99 hours and 59 minutes. Pressing CONTROL again will reset ET to zero.

ET COUNTDOWN

Select ET for display, enter set mode by pressing both buttons. The countdown timer can now be set. Entering the time is identical to GMT time setting. When the time is entered and the last digit is no longer flashing the clock is ready to start the countdown. Momentarily pressing the CONTROL button starts the countdown. When the count reaches zero the displays flashes and the external alarm is activated. Pressing either SELECT or CONTROL will deactivate the alarm. ET continues counting up.

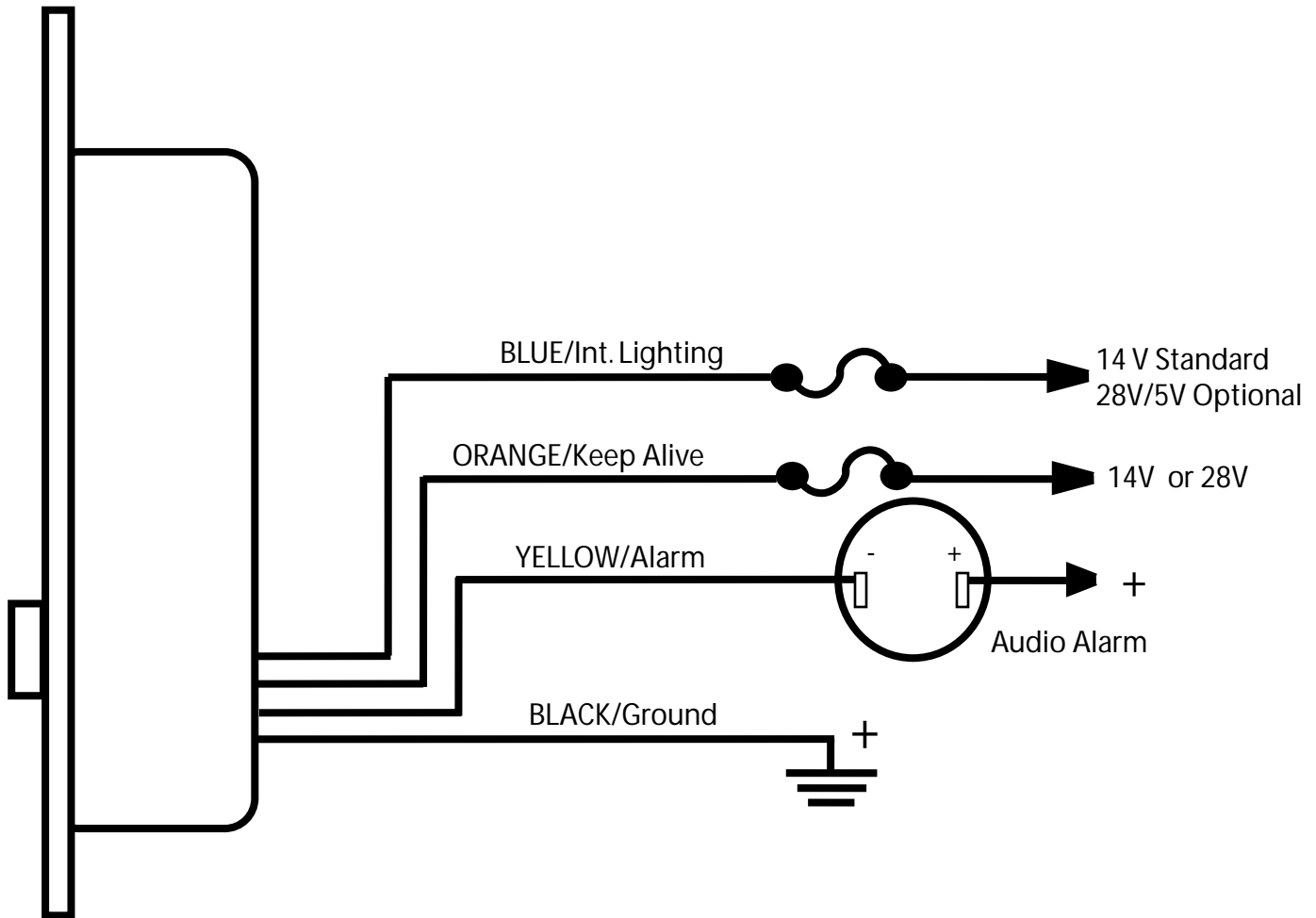
KEEP ALIVE INPUT: 14V or 28V

ALARM OUTPUT: Open collector 25 mA.

SPECIFICATIONS

GMT TIME: 24 hour format
LOCAL TIME: 12 hour format, 24 hour option offered.
ELAPSED TIME COUNT UP: Starts in minutes, seconds, then hours, minutes up to 99:59 hours.
ELAPSED TIME COUNTDOWN: Settable from one second to 59 minutes, 59 seconds.
ELAPSED TIME ALARM: Activates at zero when counting down.
INTERNAL LIGHTING: 100 mA. At 14 Volts, 50 mA. At 28 Volts.
KEEP ALIVE CURRENT: .0003 Amps. 14V, .001 Amps. 28 V
VOLTAGE: 14V or 28V; specify when ordering.
CRYSTAL REFERENCE: -40 C to +60 C .001%.
WARRANTY: 1 year
Cream color standard, black optional.

ELECTRICAL



PRICE

MB800 \$180.00



427 HILLCREST WAY
REDWOOD CITY, CA 94062