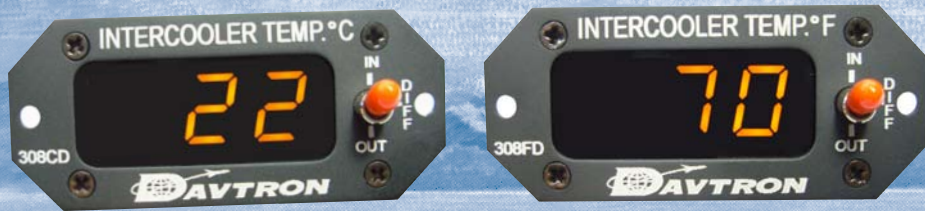


# DIGITAL INTERCOOLER DIFFERENTIAL

## MODEL 308CD & FD Centigrade & Fahrenheit Intercooler Differential



Super bright, sunlight readable display

### FEATURES

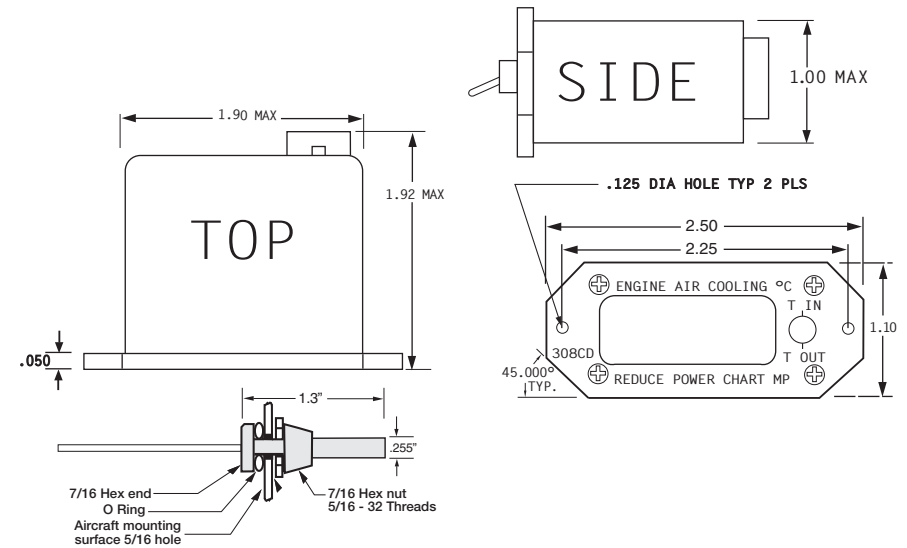
- Minimum panel space
- Light weight
- Automatic dimming
- Miniature remote probe
- LED display
- Engraved Faceplate
- Centigrade
- Fahrenheit

### SPECIFICATIONS

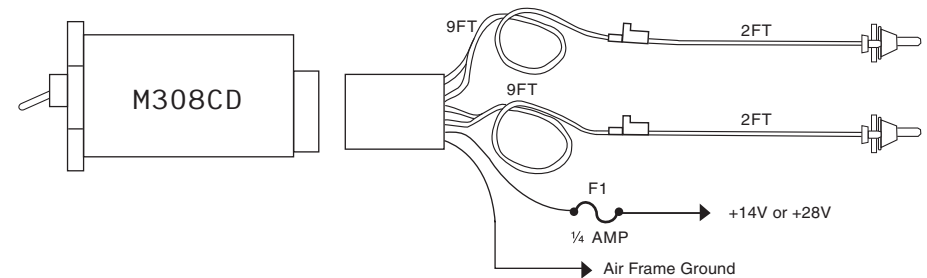
- Range -60°C to +145°C
- Range -70°F to +290°F
- Input Voltage 14 volts/ 28 volts
- Input Current 150 M.A.Max.
- Operating Temp. -25°C to +60°C
- Accuracy ±1% of full scale
- Weight 4 oz.
- Warranty one year

Complete with 2 Analog Probes

### MECHANICAL

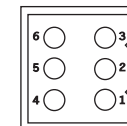


### ELECTRICAL



### CONNECTOR PIN ASSIGNMENTS

PIN 1	GROUND
PIN 4	14/28VDC POWER INPUT
PIN 6	SIGNAL T-IN PROBE
PIN 5	8VPC T-IN PROBE
PIN 3	SIGNAL T-OUT PROBE
PIN 2	8VDC T-OUT PROBE



CONNECTOR REAR VIEW



www.davtron.com

427 HILLCREST WAY • EMERALD HILLS, CA 94062 • (866) 369-5588



www.davtron.com

427 HILLCREST WAY • EMERALD HILLS, CA 94062 • (866) 369-5588