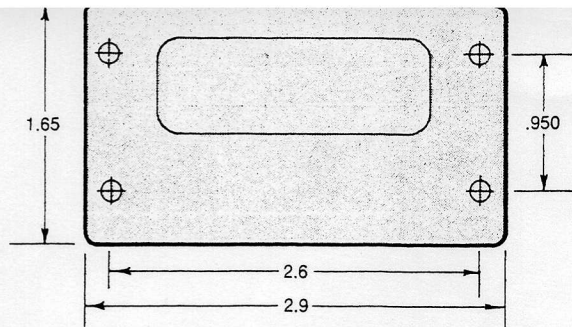
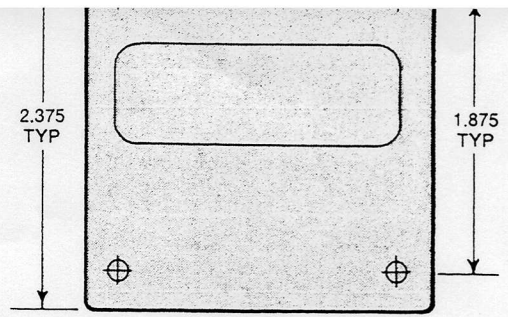


old style



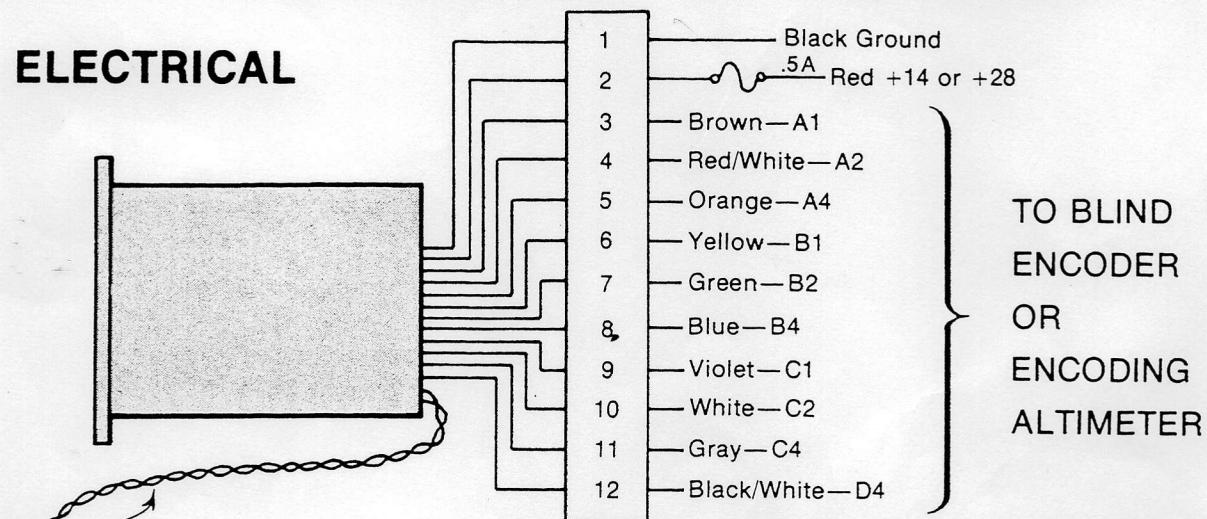
M-655-1 Panel Mount



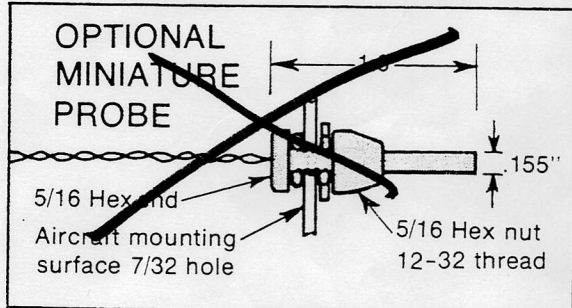
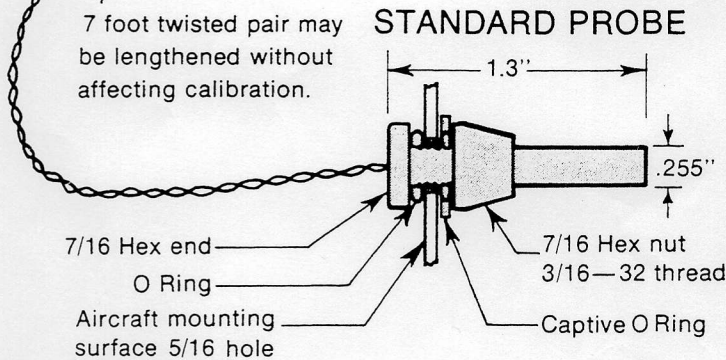
M-655-2 Clock Mount

NOTE: Heat sink extends 1" beyond case—2.8" over-all mounting depth required.

ELECTRICAL



Note—Pin 12 is left open if encoder does not operate above 31,700 ft.



SPECIFICATIONS

Density altitude: - 10,000 to 70,000 ft.
 Pressure altitude: - 1,000 to 62,700 ft.
 (Depends on encoder range.)
 Flashing annunciator character on incorrect encoder inputs.
 Temperature range: - 55°C to +100°C ± 2°C Typ.
 - 67°F to + 212°F
 Voltage range 10V to 32V ± .2 volts Typ.
 Incandescent display with automatic dimming.
 Input voltage: 14 or 28 volts.
 Input current: .35 amps max.
 Weight: 5 oz.
 Warranty: 1 year

PRICES

M-655	Density altitude All five functions	\$345.00
M-655/MP	Miniature Probe	300.00
M-303	Temperature °F and °C plus voltage (three functions)	275.00
M-650/MP	Miniature Probe	250.00
M-650	Pressure altitude Extended range (- 1,000 to 62,700 ft.)	225.00.
M-650	Pressure altitude (- 1,000 to 62,700 ft.)	195.00



427 HILLCREST WAY, REDWOOD CITY, CA 94062 (415) 369-1188