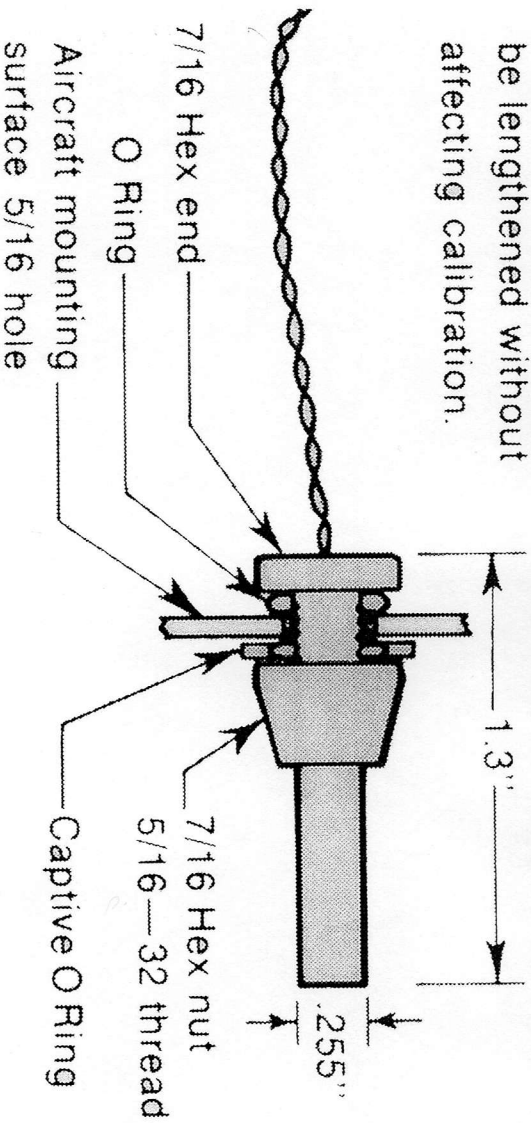


TEMPERATURE SENSOR	
MANUFACTURER	ANALOG DEVICES
PART NUMBER	AD590
ELECTRICAL OUTPUT	1 MICRDAMP / °K

STANDARD PROBE

7 foot twisted pair may be lengthened without affecting calibration.



NOTES :

THE TEMPERATURE SENSOR MOUNTING SHOULD BE IN A PLACE THAT IS FREE OF EXHAUST GASES OR COWL FLAPS AIRFLOW. THE IDEAL PLACE IS TWO FEET OUT FROM THE WING ROOT ON THE BOTTOM OF THE WING. SENSOR LEADS MAY BE LENGTHENED OR SHORTENED WITHOUT AFFECTING CALIBRATION.

REVISIONS		
NO	DATE	BY
1	12/20/02	RGW
2	2/6/06	RGW
3		
4		
5		

PROBE MOUNTING

427 HILLCREST WAY
REDWOOD CITY, CA 94062



MATERIAL

DRAWN BY	RGW	SCALE		DRAWING NO	303-010
CHK'D		DATE	5/1/95		
TRACED		APP'D	DNT		