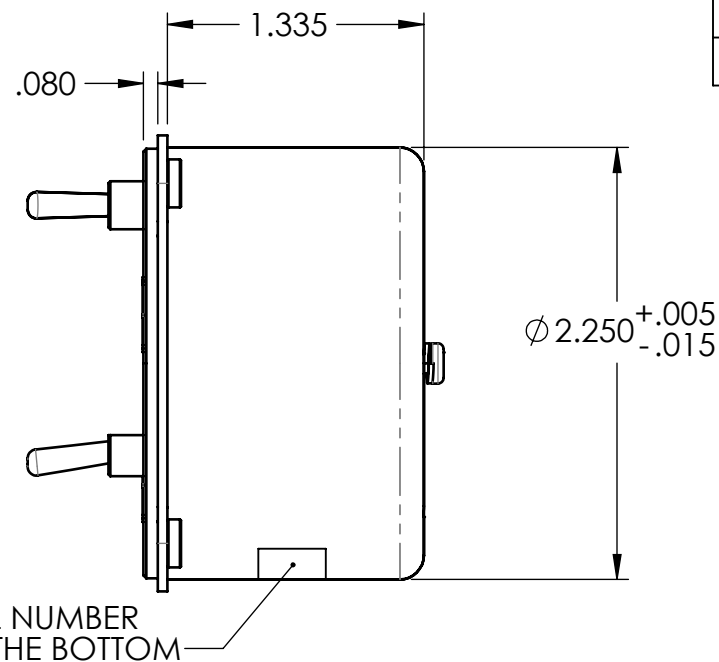
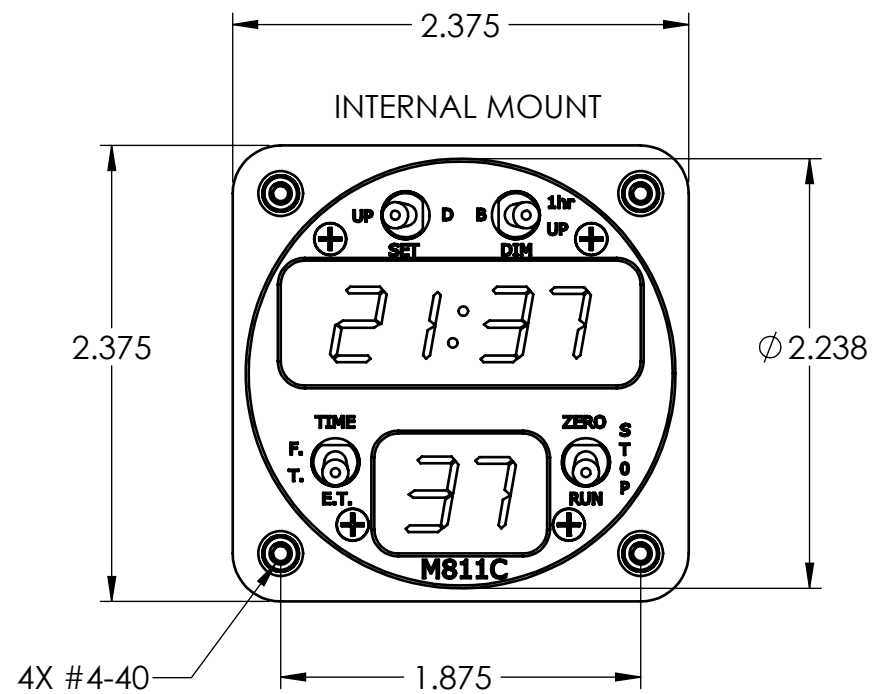


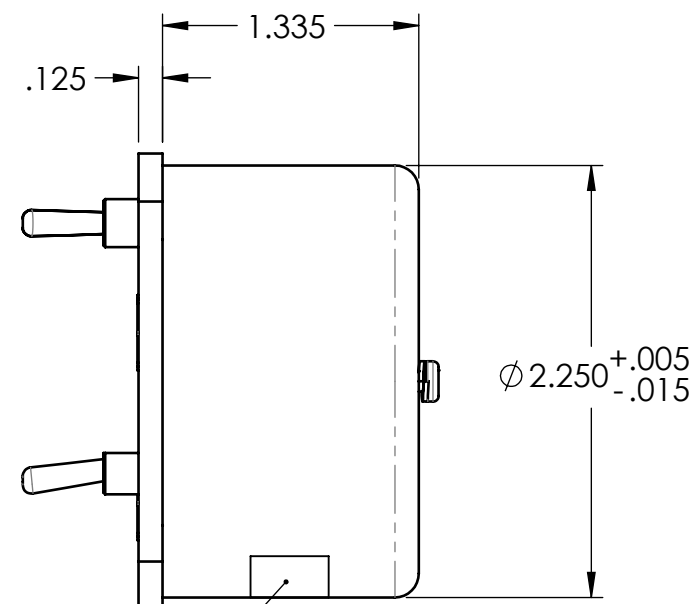
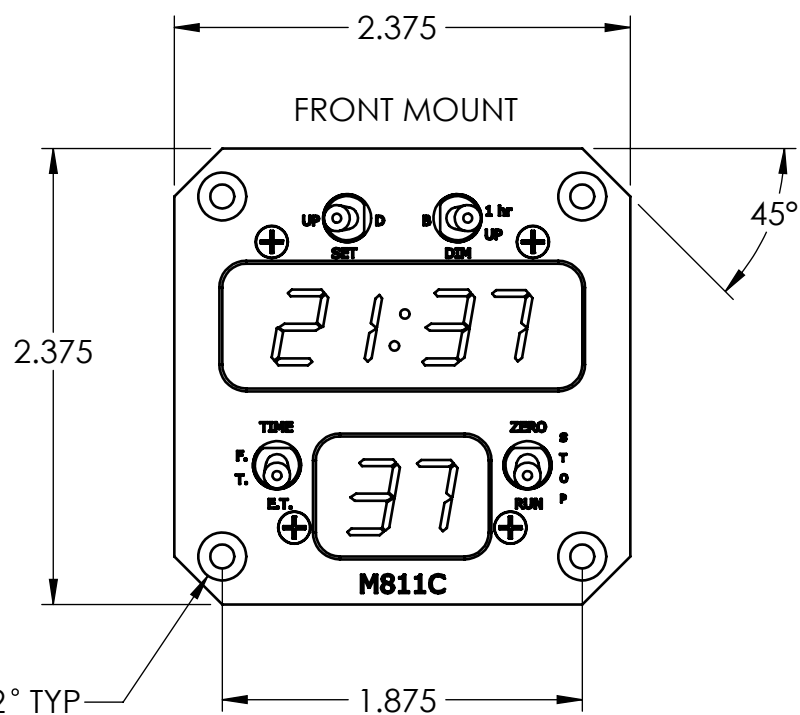
--OVERALL DIMENSIONS--

--REVISION HISTORY--

REV	DATE:	DESCRIPTION:	APPD:
0	09/01/14	RELEASED	BFT



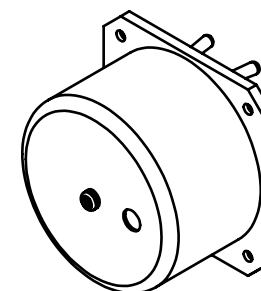
DATA/SERIAL NUMBER MOUNT ON THE BOTTOM



DATA/SERIAL NUMBER MOUNT ON THE BOTTOM

4X #4-40 CS 82° TYP

BACK VIEW



DRAWN BY:	DATE:
VAN	09/01/14
CHECKED BY:	DATE:
KET	09/01/14
CHECKED BY:	DATE:
RGW	09/01/14
APPROVED BY:	DATE:
BFT	09/01/14

DAVTRON INC.
A Leader in Digital Avionics
427 Hillcrest Way, Redwood City, CA 94062

TITLE: **OVERALL DIMENSIONS**

MATERIAL: -

DIMENSIONS ARE IN INCHES
TOLERANCES ARE DECIMAL
.X±.1 .XX±.05 .XXX±.005
ANGLES ±2°

PROJ:

CAGE# 63131 SCALE: 1/1 SIZE B
REV: 0 SHEET: 1 OF 1

DRAWING NUMBER: **811C-001-01**

ITEM #	QTY	QTY	DAVTRON PART NO.	DESCRIPTION
②	X	-	M811C-2	INTERNAL BLACK MOUNT DIGITAL CLOCK
①	-	X	M811C	STANDARD BLACK FRONT MOUNT DIGITAL CLOCK

--LIST OF MATERIALS--