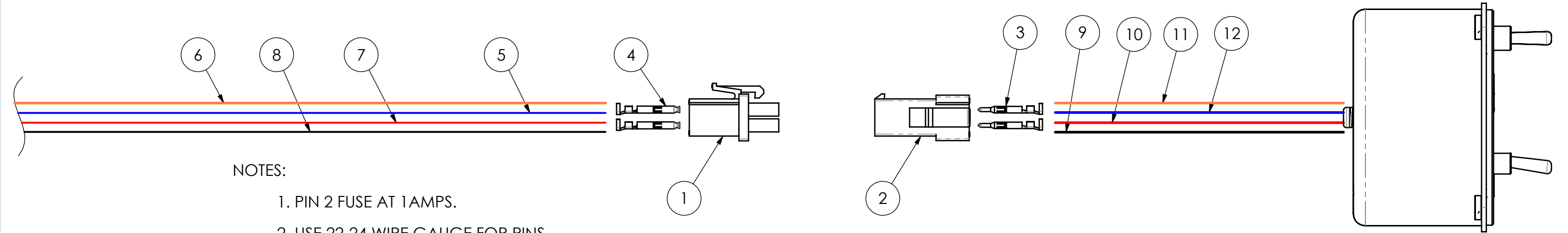


--OVERALL DIMENSIONS--

--REVISION HISTORY--

1. GROUND.
2. 14V TO 30V DC (FUSE BREAKER AT 1AMP).
3. 4V TO 28V STARTS FLIGHT TIME.
4. GROUND STARTS FLIGHT TIME.

REV	DATE:	DESCRIPTION:	APPD:
0	09/03/14	RELEASED	BFT

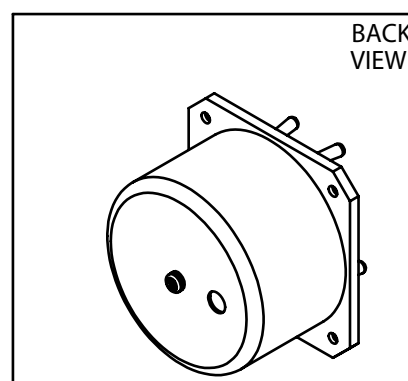
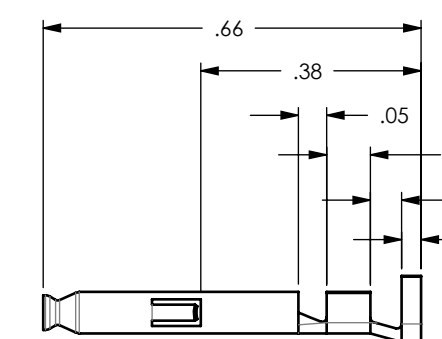
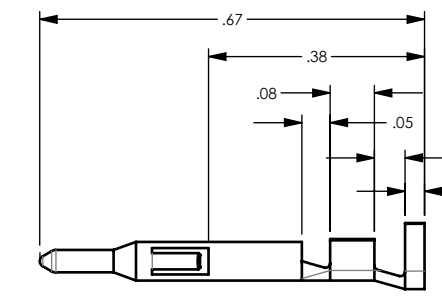
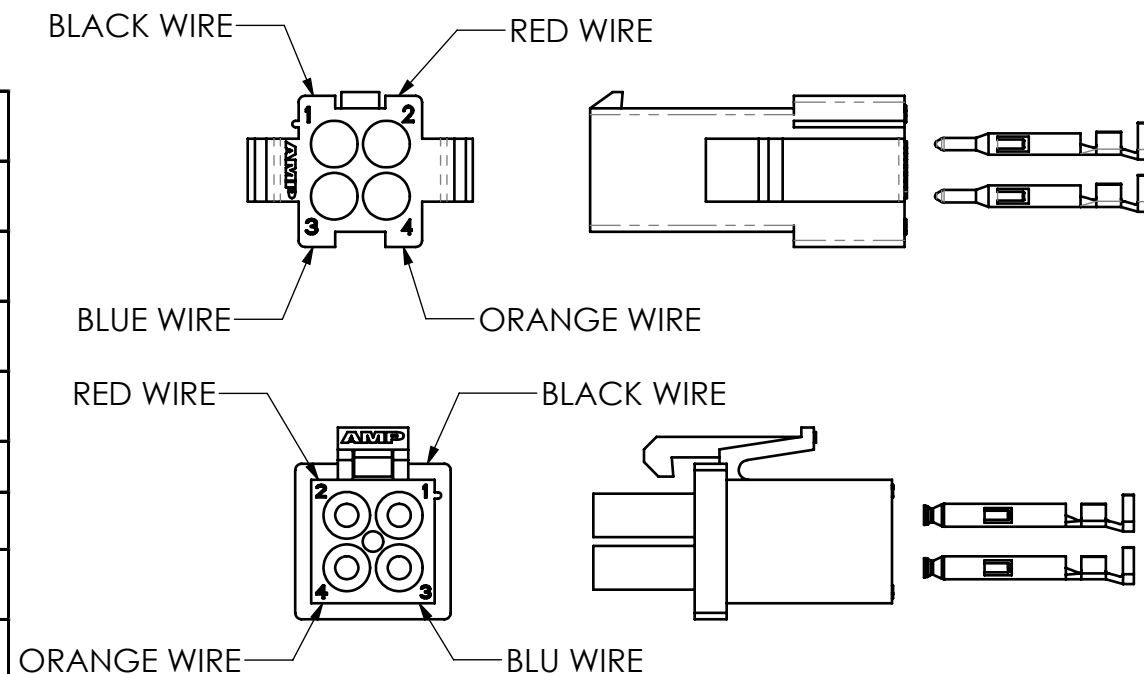


NOTES:

1. PIN 2 FUSE AT 1AMPS.
2. USE 22-24 WIRE GAUGE FOR PINS.

⑫	1	WIRE-22759-16-24-6-9"316T-316T	CUT 9" TIN 3/16" X 3/16" TIN WIRE COLOR BLUE 24 GAUGE
⑪	1	WIRE-22759-16-24-3-9"316T-316T	CUT 9" TIN 3/16" X 3/16" TIN WIRE COLOR ORANGE 24 GAUGE
⑩	1	WIRE-22759-16-24-2-9"316T-316T	CUT 9" TIN 3/16" X 3/16" TIN WIRE COLOR RED 24 GAUGE
⑨	1	WIRE-22759-16-24-0-9"316T-316T	CUT 9" TIN 3/16" X 3/16" TIN WIRE COLOR BLACK 24 GAUGE
③	4	PIN-811C-MALE-770985-1	Pin & Socket Connectors PIN 26-22 AWG MINI UMNL
②	1	CONN-811C-FEMALE-MOLEX	CONN CAP 4POS SEALED MINI UMNL
-	✕	-CONN-ASSY	MODEL 811C FEM CONNECTOR ASSEMBLY
⑧	1	WIRE-22759-16-24-0-26"316T-12SS	CUT 26" TIN 3/16" X 1/2" SHORT STRIP WIRE COLOR BLACK 24 GAUGE
⑦	1	WIRE-22759-16-24-2-26"316T-12SS	CUT 26" TIN 3/16" X 1/2" SHORT STRIP WIRE COLOR RED 24 GAUGE
⑥	1	WIRE-22759-16-24-3-26"316T-12SS	CUT 26" TIN 3/16" X 1/2" SHORT STRIP WIRE COLOR ORANGE 24 GAUGE
⑤	1	WIRE-22759-16-24-6-26"316T-12SS	CUT 26" TIN 3/16" X 1/2" SHORT STRIP WIRE COLOR BLUE 24 GAUGE
④	4	PIN-811C-FEM-770986-1	Pin & Socket Connectors SOCKET 26-22 AWG MINI UMNL
①	1	CONN-811C-MALE-MOLEX	CONN PLUG 4POS SEALED MINI UMNL
-	✕	811C-STD	MODEL 811C STANDARD CONNECTOR
ITEM #	QTY	DAVTRON PART NO.	DESCRIPTION

--LIST OF MATERIALS--



DRAWN BY: <b>VAN</b>	DATE: <b>09/01/14</b>	<p>A Leader in Digital Avionics 427 Hillcrest Way, Redwood City, CA 94062</p>
CHECKED BY: <b>KET</b>	DATE: <b>09/02/14</b>	
CHECKED BY: <b>RGW</b>	DATE: <b>09/02/14</b>	TITLE: <b>ELECTRICAL INPUT</b>
APPROVED BY: <b>BFT</b>	DATE: <b>09/03/14</b>	MATERIAL: -
DIMENSIONS ARE IN INCHES TOLERANCES ARE DECIMAL .X±.1 .XX±.05 .XXX±.005 ANGLES ±2°		PROJ: CAGE# 63131 SCALE: 1/1 SIZE: B REV: 0 SHEET: 1 OF 1
DRAWING NUMBER: <b>811C-001-02</b>		