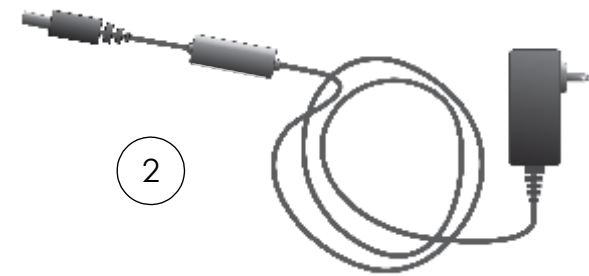
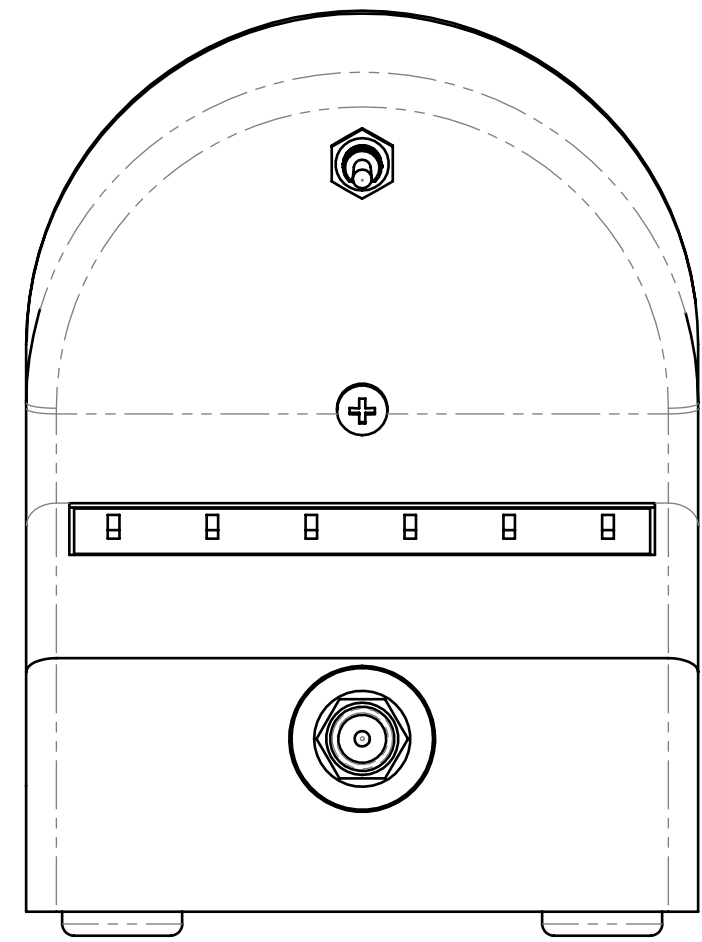
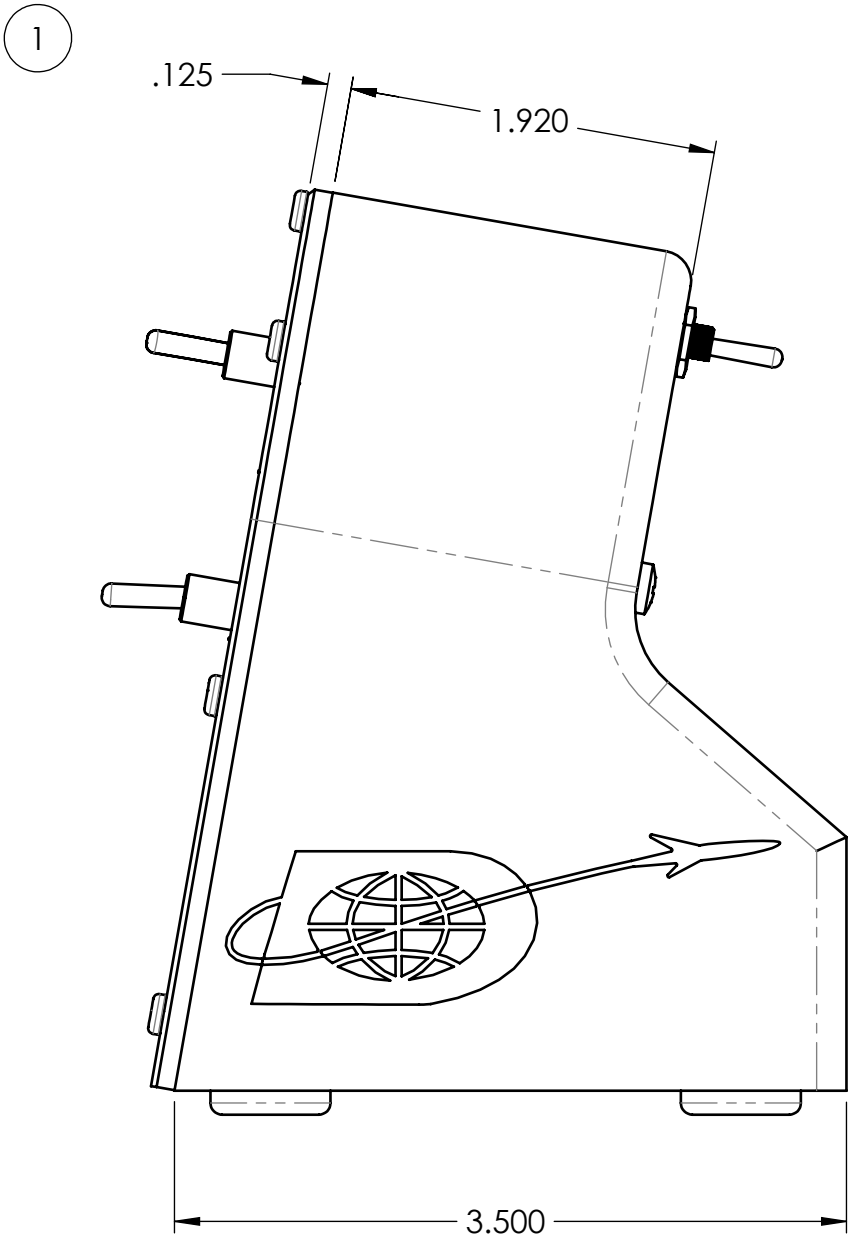
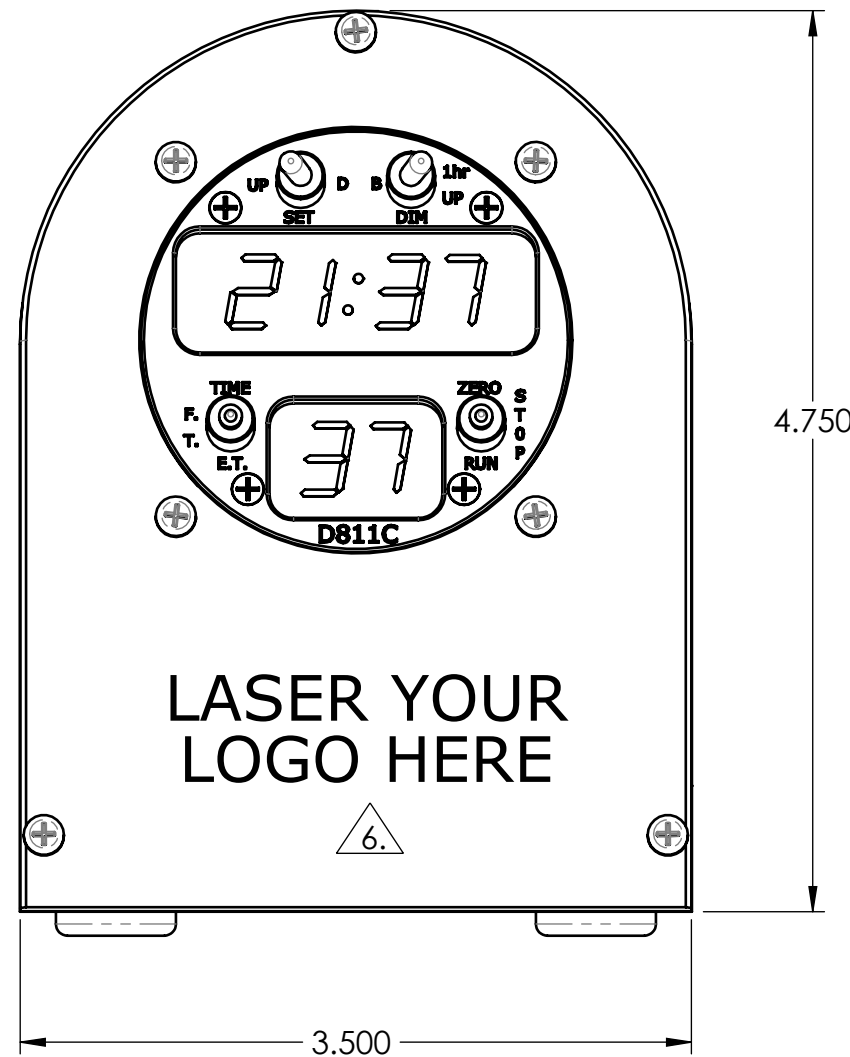


--OVERALL DIMENSIONS--

--REVISION HISTORY--

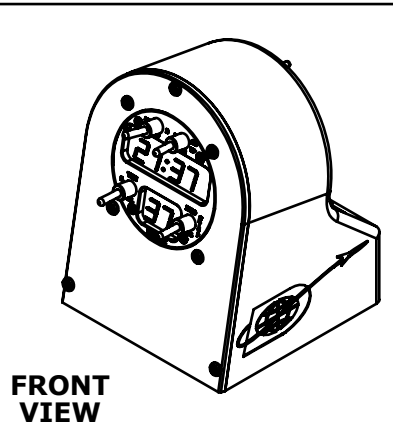
REV	DATE:	DESCRIPTION:	APPD:
0	03/23/16	RELEASED	BFT



- NOTES:
1. ALUMINUM - AVIATION QUALITY.
 2. HOUSING NICKEL PLATED.
 3. LED DISPLAY AND LED BACKLIGHT.
 4. INPUT VOLTAGE 9 VOLTS.
 5. EXTREMELY ACCURATE CLOCK IC - INDUSTRIAL -40°C TO 85°C.
 6. ADDITIONAL COST FOR CUSTOMER LOGO.
 7. OVERALL WEIGHT 40 OUNCES MAX.

ITEM#	QTY.	PART #	DESCRIPTION
2	1	WALL-PLUG-9V	AC/DC WALL MOUNT ADAPTER 9V
1	1	D811C	STANDARD BLACK DESK GAUGE CLOCK - ROHS COMPLIANT

--LIST OF MATERIALS--



DRAWN BY: VAN	DATE: 07/18/14	<p>A Leader in Digital Avionics 427 Hillcrest Way, Redwood City, CA 94062</p>
CHECKED BY: BFT	DATE: 08/18/14	
CHECKED BY: FAM	DATE: 09/18/14	
APPROVED BY: BFT	DATE: 03/23/16	
TITLE: OVERALL DIMENSIONS, DESK-TOP		MATERIAL: ALUM
DIMENSIONS ARE IN INCHES TOLERANCES ARE DECIMAL .X±.1 .XX±.05 .XXX±.005 ANGLES ±2°		PROJ: CAGE# 63131 SCALE: 1/1 SIZE B REV: 0 SHEET: 1 OF 1
DRAWING NUMBER: D811C-001-01		