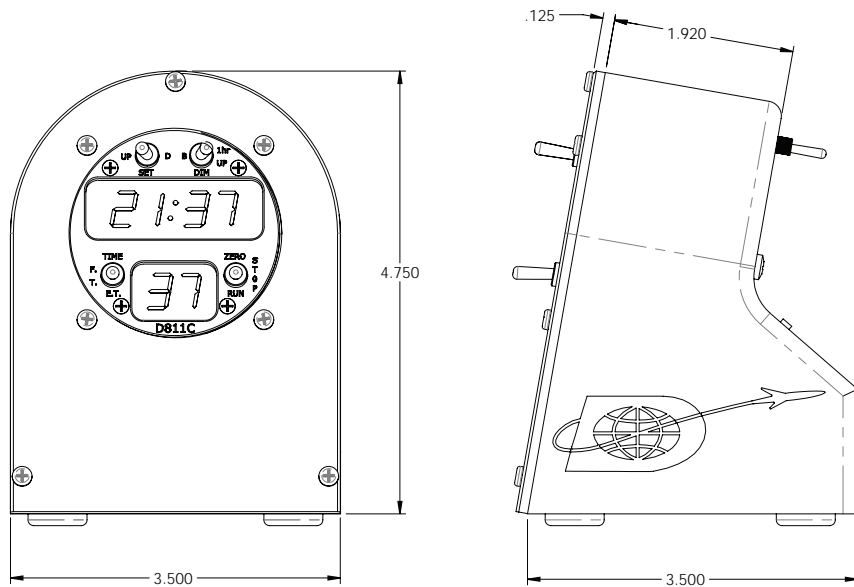


MECHANICAL



ELECTRICAL

- Only use Davtron approved 9 volt Power supply - wall plug

SPECIFICATIONS

- Six-digit display on all three functions
- Local Time: 12 hour or 24 hour option (user selectable)
- Flight Time: 24 hour
- Elapsed Time Count Up: 24 hour
- Precision/Extreme Accurate Clock IC Industrial - 40°C to 85°C
- Memory Battery supplied with a typical 5 year operating life (CR2032).
- LED Displays: Readable in Sunlight
- LED Backlight: Toggle Switch (BRIGHT / OFF / DIM)
- Input Voltage: 9 Volts
- Input Current: 0.1 Amps
- Black Faceplate: Engraved Nomenclature
- Weight: 40 ounces max
- Polycarb Lens filter - Light Shield
- Warranty: 1 year



427 HILLCREST WAY • REDWOOD CITY, CA 94062
(650) 369-1188 • WWW.DAVTRON.COM



Vector Line Trace



Photo



Vector Artwork

MODEL D811C OPERATION

Before this unit leaves the factory, Davtron installs an internal coin cell battery, ensures that all three functions of the clock are activated and working, and Davtron sets the clock function to exact time (W.W.V.). The clock memory is approximately 5 years without the additional power. Power is required to light the display.

DISPLAY SELECT

The switch marked TIME /F.T./E.T. is a three position switch that selects the function to be displayed. All three functions operate normally no matter what function has been selected for display.

TIME

When the function is selected, the proper time will read in hours, minutes, and seconds. The time channel may be set to local time or G.M.T. time.

FLIGHT TIME RECORDER

When the Flight Time channel is selected, the actual time in flight will be displayed in hours, minutes, and seconds. The Flight Time Channel is set up to continually count for this unit. Typically, for aviation set-up, when the aircraft starts its take-off run and the airswitch closes, the Flight Time recorder will start to run, recording Flight Time. Anytime during flight the pilot may check total time in flight. When the aircraft has landed, the pilot can record total Flight Time. The pilot can have total flight time if he avoids resetting the Flight Time recorder to zero. The Flight Time recorder will total time up to 24 hours. Normally it is recommended that the Flight Time recorder be zeroed on the pre startup check list of the aircraft. The Flight Time recorder is set-up to reset when this mode is selected and the bottom right switch is switched to position #1 as shown in the diagram.

ELAPSED TIME METER

When the Elapsed time channel is selected the Elapsed Time meter will read in hours, minutes, and seconds. This recorder is fully controlled by the pilot from the front panel. It may be started, stopped, and returned to zero for elapsed time, approach time, etc. Totals time up to 24 hours.

DIM POSITION FOR DISPLAY

For night operation a Dim position is provided. Normal position is B or bright.

SETTING TO ACCURATE TIME

Davtron sets the clock to the correct GMT time when it leaves the factory. To change hour, push Dim/Bright switch to 1hr up position. Each press or just holding it in the 1hr up position will increase time by one hour. This setting does not effect the minutes or seconds. The switch marked Set is for changing minutes or seconds. When you hold set switch in UP mode, minutes will count one per second until 5 seconds elapse, then minutes speed up to 5 minutes per second. When you hold set switch in the D, down position, the seconds reset to zero. During the time the clock is being set up or down, the Elapsed Time and Flight Time still continue to operate normally. The Set switch is a momentary switch and automatically returns to the center position.

CHANGING CLOCK FROM 24 TO 12 HR

With unit off, hold Bright/Dim switch in 1hr up position, turn on unit. Unit is now 12HR. Repeat steps to switch back.

This switch makes minor time corrections

1. Position #1 (**UP**) is a momentary position and sets the clock one minute forward for every second held in the up position. After 5 seconds, minutes speed up to 5 per second.
2. Position #2 is the normal position.
3. Position #3 (**D**) is a momentary position and resets seconds to zero when selected or held.

This switch sets Bright/Dim, and makes one hour changes

1. Position #1 (**B**) is the Bright position of the display for daytime use.
2. Position #2 (**DIM**) is for night time use.
3. Position #3 (**1 hr. up**) is a momentary position and sets the clock 1 hour ahead for every time the switch is moved to this position and released.



This switch selects which channel is to be displayed

1. Position #1 (**TIME**) selects real time. This channel may be set to G.M.T. time or local time. Reads in hours, minutes and seconds.
2. Position #2 (**F.T.**) selects Flight Time, reads in hours, minutes and seconds of actual flight.
3. Position #3 (**E.T.**) selects Elapsed Time, reads in hours, minutes and seconds.

This switch controls the Elapsed Time meter

1. Position #1 (**ZERO**) is a momentary position and resets the Elapsed Time meter to zero. The switch returns to position #2 when released. NOTE: Position #1 will zero Flight Time, when unit is in F.T. mode.
2. Position #2 (**STOP**) will stop the Elapsed Time meter.
3. Position #3 (**RUN**) starts the Elapsed Time meter.